

600 Series 3

Welcome and thank you for choosing Bowers & Wilkins.

Our founder, John Bowers, believed that imaginative design, innovative engineering and advanced technology were keys that could unlock the enjoyment of audio in the home. His belief is one that we continue to share and inspires every product we design.

This is a high performance product that rewards thoughtful installation, so we suggest that you take some time to read this manual before you begin. **Continue on page 3** →

Willkommen bei Bowers & Wilkins. Der Firmengründer John Bowers war der Meinung, dass ein wunderschönes Design, eine innovative Konstruktion und ausgeklügelte Technologien die Schlüssel zu Audio-Entertainment der Extraklasse in Ihrem Zuhause sind. Wir teilen seine Meinung und jedes von uns entwickelte Produkt basiert darauf.

Dies ist ein erstklassiges Produkt, dessen Installation und Setup gut durchdacht werden müssen. Wir empfehlen daher, sich ein wenig Zeit zu nehmen und diese Bedienungsanleitung vor der Installation zu lesen. **Fortsetzung auf Seite 17** →

Bem-vindo e obrigado por escolher a Bowers & Wilkins.

O nosso fundador, John Bowers, acreditava que um desenho criativo, engenharia inovadora e tecnologia avançada eram as chaves que poderíamos abrir portas para se desfrutar do áudio em casa. A sua crença é algo que continuamos a partilhar e que inspira cada produto que desenhamos.

O produto que adquiriu possui elevados padrões de desempenho que requerem uma instalação cuidadosa, pelo que recomendamos que leia este manual antes de utilizar o produto. **Continuação na página 31** →

Welkom en bedankt voor uw aankoop van een Bowers & Wilkins product.

Onze oprichter John Bowers geloofde in vindingrijke ontwerpen: innovatieve en vooruitstrevende technologie vormen de kern waarmee plezier met muziek thuis kan worden gerealiseerd. Deze visie is nog altijd ons uitgangspunt en vormt de inspiratie voor elk product dat we ontwikkelen.

Dit is een hoogwaardig product dat een zorgvuldige installatie verdient, daarom raden we u aan de tijd te nemen deze handleiding te lezen voordat u begint. **Lees verder op pagina 45** →

Bienvenue et merci d'avoir choisi Bowers & Wilkins. Notre fondateur, John Bowers, était persuadé qu'une conception imaginative, des innovations en terme d'ingénierie et des technologies parmi les plus avancées, étaient les clés ouvrant les portes du plaisir de l'écoute à domicile. Ce qu'il croyait fait partie de ce que nous continuons encore à partager et se retrouve dans tous les produits que nous concevons aujourd'hui.

Vous disposez d'un produit dont les hautes performances méritent une installation soignée, par conséquent nous vous suggérons de consacrer un peu de temps à lire ce manuel avant de commencer à l'utiliser. **Rendez vous à la page 10** →

Bienvenido y gracias por elegir Bowers & Wilkins.

John Bowers, nuestro fundador, estaba firmemente convencido de que el diseño imaginativo, la ingeniería innovadora y la tecnología avanzada eran las claves a la hora de llevar el disfrute del sonido a la intimidad del hogar. Una creencia que seguimos compartiendo y que inspira todos y cada uno de los productos que diseñamos.

Si se instala adecuadamente, este producto ofrece unas prestaciones muy elevadas, por lo que le sugerimos que antes de ponerse manos a la obra dedique un poco de su tiempo a leer este manual. **Continúa en la página 24** →

Benvenuti e grazie per aver scelto un prodotto Bowers & Wilkins. Il nostro fondatore, John Bowers, era convinto che design attraente, capacità d'innovare e tecnologie all'avanguardia fossero fattori vincenti per la riproduzione audio domestica. Le sue idee sono ancor oggi condivise da noi tutti e fonte d'ispirazione per ogni nuovo prodotto che realizziamo.

Questo modello è un diffusore di alte prestazioni che merita di essere installato in maniera scrupolosa. Vi suggeriamo pertanto di leggere attentamente questo manuale prima di iniziare. **Continua a pagina 38** →

Καλώς ήρθατε και ευχαριστούμε που επιλέξατε την Bowers & Wilkins. Ο ιδρυτής μας, John Bowers, πίστευε πως η ευφάνταστη σχεδίαση, οι ευρηματικές λύσεις σε τεχνικά προβλήματα και η προηγμένη τεχνολογία είναι τα κλειδιά για την απόλαυση του ήχου στο σπίτι. Οι απόψεις του εξακολουθούν να μας βρίσκουν σύμφωνους και να εμπνέουν κάθε προϊόν που σχεδιάζουμε.

Αυτό είναι ένα προϊόν υψηλής απόδοσης, το οποίο αξιοποιείται καλύτερα μετά από προσεκτική εγκατάσταση, οπότε σας προτείνουμε να διαθέσετε λίγο χρόνο για να διαθέσετε αυτό το εγχειρίδιο προτού αρχίσετε. **Συνέχεια στη σελίδα 52** →

Добро пожаловать и благодарим вас за приобретение акустики компании Bowers & Wilkins. Наш основатель, Джон Бауэрс, верил в то, что творческий подход в проектировании, новаторская конструкция и передовые технологии смогут открыть людям путь к подлинному звучанию в доме. Мы продолжаем разделять его веру, и она вдохновляет нас при проектировании всех новых продуктов.

Эти акустические системы способны на высококачественное воспроизведение звука, поэтому они заслуживают вдумчивого подхода к установке, и мы советуем вам уделить некоторое время на изучение этой инструкции, прежде чем приступить к прослушиванию. **Продолжение на стр. 59 →**

Üdvözlünk, és köszönjük, hogy a Bowers & Wilkins-t választotta. Alapítónk, John Bowers úgy gondolta, hogy a fantáziádás, az innovatív tervezés és a fejlett technológia kulcsfontosságúak, amelyek lehetővé teszik az otthoni hangzás élvezetét. Meggyőződése az, hogy továbbra is megosztjuk és ez minden általunk tervezett terméket inspirál.

Ez egy nagy teljesítményű termék, amely jutalmazza az átgondolt telepítést, ezért javasoljuk, hogy mielőtt elkezdené, szánjon egy kis időt a kézikönyv elolvasására. **Folytatás a 73. oldalon →**

Merhaba, Bowers & Wilkins'i seçtiğiniz için teşekkür ederiz. Kurucumuz John Bowers, yaratıcı tasarım, yenilikçi mühendislik ve gelişmiş teknolojinin evde müzik keyifinin kilidini açacak anahtarlar olduğunu inanıyordu. Biz de bu inancı paylaşmaya devam ediyor ve tasarladığımız her üründe bu inançtan ilham alıyoruz.

Bu, dikkatli kurulum yapılımasını gerektiren yüksek performanslı bir üründür; bu yüzden başlamadan önce zaman ayırıp bu klavuzu okumanızı öneririz. **Devamı 87. sayfada →**

歡迎並感謝您選擇 Bowers & Wilkins。我們的創始人 John Bowers 認為，富有想像力的設計、創新工程和先進技術是開啟家庭音響享受的關鍵。他的信念是我們繼續分享並激發我們設計的每件產品的信念。

這是一款注重安裝的高性能產品，因此我們建議您在開始之前花一些時間閱讀本手冊。 **在第 101 頁繼續 →**

Bowers & Wilkins의 고객이 되신 것을 환영하며 저희 제품을 선택해 주셔서 감사합니다. Bowers & Wilkins의 창립자 John Bowers는 가정에서 오디오를 제대로 즐기 위한 핵심 요소는 창의적인 디자인, 혁신적인 엔지니어링 및 고급 기술을 불러와 생각했습니다. 디자인하는 모든 제품을 공유하고 영감을 불어넣는 노력을 계속해야 한다는 것이 그의 신념입니다.

본 제품은 설치 시 주의가 필요한 고성능 제품이므로 시작하기 전에 시간을 내어 이 설명서를 읽어 보시기 바랍니다. **115페이지에서 계속 →**

Děkujeme, že zvolili náš produkt a vítáme vás u Bowers & Wilkins. Když John Bowers zakládá společnost Bowers & Wilkins, byl přesvědčen o tom, že nápaditý design, inovativní konstrukce a vyspělé technologie jsou klíčem ke kvalitnímu poslechu zvuku v domácnostech zákazníků Bowers & Wilkins. Toto přesvědčení nás i nadále inspiruje při návrhu každého nového produktu.

Veštevte nyní prosím trochu času přečtení tohoto manuálu, který vám pomůže plně využít potenciálu našeho výrobku. **Pokračujte na stranu 66 →**

Dziękujemy za wybór produktu firmy Bowers & Wilkins. John Bowers założył swoją firmę, ponieważ wierzył, iż ciekawy wygląd, innowacyjna konstrukcja i zaawansowana technologia są kluczami do rozkoszowania się dźwiękiem w domowym zaciszu. Ta właśnie wiara towarzyszy nam i inspiruje każdy produkt, który tworzymy.

Niniejszy produkt wymaga starannej instalacji, dlatego sugerujemy zapoznanie się z poniższymi instrukcjami zanim zaczniesz korzystać z produktu. **Ciąg dalszy na stronie 80 →**

欢迎并感谢您选择Bowers & Wilkins。我们公司的创办人John Bowers先生相信具有想象力的设计、创新的工程设计和先进的技术是开启家庭音响娱乐大门的重要元素。我们依然坚持着他的信念，并赋予我们所有产品设计灵感。

这是一款高性能产品，在妥当安装后您将获得极佳的音效，因此我们建议您在开始安装前花一些时间仔细阅读本手册。

第94页继续 →

Bowers & Wilkins製品をお買い上げいただき、ありがとうございます。Bowers & Wilkinsの創業者であるJohn Bowersは、創意に富んだデザインと革新的な工業技術、そして先進技術が、家庭でもオーディオを十分に楽しむ鍵であると信じていました。現在でも彼の信念はBowers & Wilkinsで共有されており、この信念はBowers & Wilkinsが設計するすべての製品に命を吹き込んでいます。

お買い上げいただいたスピーカーの優れた性能を引き出すには、正しく設置することが必要です。ご使用になる前に、このマニュアルをお読みください。 **108ページに続く →**

1. Unpacking

	Grille	Foam Plug	Rubber Foot (self-adhesive)	Rubber Foot (screw-on)	Spike Foot	Plinth	Allen Key	45mm Screw	Plain Washer	Shakeproof Washer
603 S3	1	1		4	4	1	1	4	4	4
606 S3 607 S3	2	2	8							
HTM6 S3	1	1	4							

Carton Contents

The table above illustrates the component parts that are packed with the product. In the unlikely event that anything is missing please contact the retailer from whom you purchased the speakers.

Environmental Information

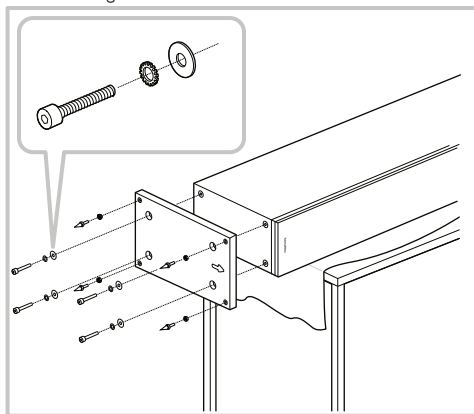
This product complies with international directives, including but not limited to:

- i. the **R**estriction of **H**azardous **S**ubstances (RoHS) in electrical and electronic equipment,
- ii. the **R**egistration, **E**valuation, **A**uthorisation and restriction of **C**hemicals (REACH)
- iii. the disposal of **W**aste **E**lectrical and **E**lectronic **E**quipment (WEEE).

Consult your local waste disposal authority for guidance on how properly to recycle or dispose of this product.

2. Positioning

603 S3

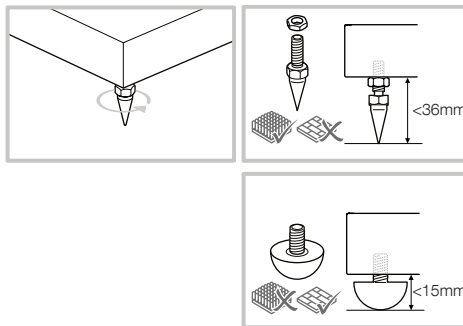
**Speaker Installation****603 S3**

603 S3 is intended to be floor mounted only. For proper stability, always install the provided plinth, then ensure that the speakers stand firmly on the floor using the spike or rubber feet supplied.

You may attach the plinth during the unpacking process, following the illustrations above or the diagrams on the top flap of the carton.

Warning

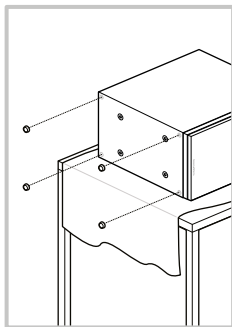
The plinth **MUST** always be used, with the rubber or spike feet inserted into the plinth. **DO NOT** insert rubber or spike feet directly into the cabinet.

**Important Safety Notice**

Sharp spikes, do not touch.

The spike feet are designed to pierce carpet and rest on the floor surface. Initially, screw the lock nuts onto the spikes just far enough to leave the nuts floating just above the carpet when the spikes are resting on the floor beneath. Then, screw the spikes fully into the threaded inserts in the plinth. If the cabinet rocks when placed on the floor, unscrew the two spikes that do not touch the floor until the cabinet rests firmly without rocking. Finally, lock the nuts against the base and gently tighten the nut to stop the spike foot rotating. It may be more convenient to fit and adjust the spike feet after speaker positioning has been optimised.

If there is no carpet and you wish to avoid scratching the floor surface, use either a protective metal disc (a coin perhaps) between the spike and the floor, or use the supplied rubber feet. Fit the rubber feet and level the cabinet in the same manner as with the spike feet.



606 S3 / 607 S3

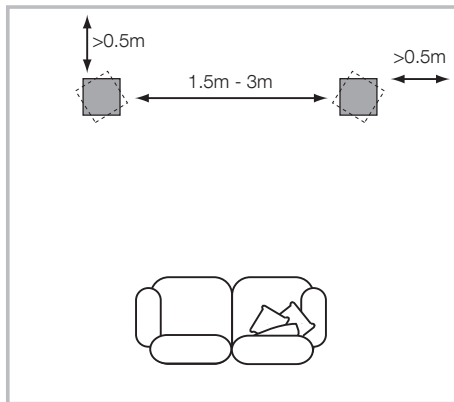
The 606 S3 and 607 S3 are primarily designed to be mounted on a dedicated floor stand (FS-600 S3), but may be placed on a shelf if preferred. However, it should be noted that this offers less flexibility to optimise the speaker's performance. If shelf placement must be used, we recommend using the foam plugs (supplied) to optimise port performance (see Section 4: Fine-Tuning).

In both installation cases, the speakers' tweeters should be placed approximately at ear height at your usual listening position.

Note: If using a shelf, ensure that it is strong enough to properly support the weight and fit the four self-adhesive rubber feet to the underside of the speaker.

HTM6 S3

If using a projection television with an acoustically transparent screen, position the speaker behind the centre of the screen. Otherwise, position it either directly below or above the screen using either a floor stand, furniture unit or wall shelf, ensuring the speaker is as close to ear height as possible. If the speaker is to be placed either on a shelf or in a rack shared with other AV equipment, fix the four self-adhesive rubber feet to the base of the speaker. They provide a degree of vibration isolation.

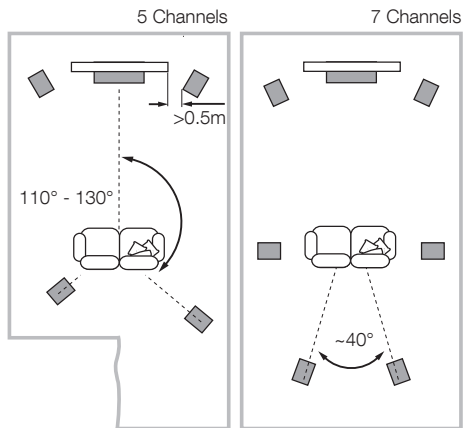


Speaker Positioning

In either stereo or home theatre installations, try to ensure that the immediate surroundings of each speaker are similar in acoustic character. For example, if one speaker is adjacent to bare walls while the other is adjacent to soft furnishings and curtains, both the overall sound quality and the stereo image are likely to be compromised.

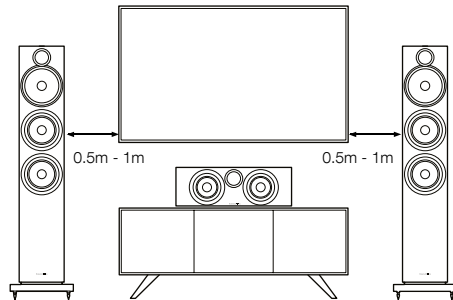
Conventional Stereo Systems

To begin with, the speakers should be positioned between 1.5m and 3m apart at two corners of an equilateral triangle completed by the listening area at the third corner. The speakers should be placed at least 0.5m away from the back and any side walls (as per the illustration above).



Home Theatre Systems

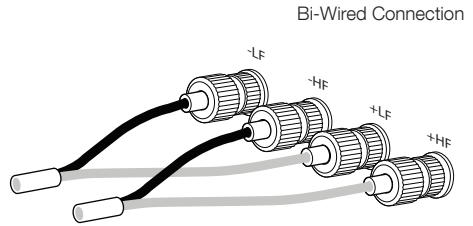
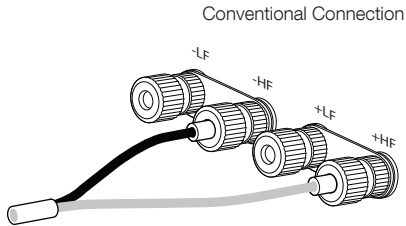
If the speakers are to be used for the front channels in a home theatre system, they should be placed closer together than for 2-channel audio, because the surround channels tend to widen the image. Positioning the speakers within approximately 0.5m of the sides of the screen will also help keep the sound image in scale with the visual image. As with conventional stereo positioning, the speakers should ideally be at least 0.5m away from any side walls.



Stray Magnetic Fields

The speaker drive units create stray magnetic fields that extend beyond the boundaries of the cabinet. We recommend you keep magnetically sensitive articles (CRT television and computer screens, computer discs, audio and video tapes, swipe cards and the like) at least 0.5m from the speaker. LCD, OLED and plasma screens are not affected by magnetic fields.

3. Connections

**Important Safety Notice**

All connections should be made with the audio equipment switched off. When using audio equipment in normal operation, touching uninsulated speaker terminals or wiring may result in an unpleasant sensation. The 600 S3 speaker terminals accept a variety of cable terminations: 4mm banana plugs, 6mm and 8mm (1/4 in and 5/16 in) spades, or bare wires up to 4mm (5/32 in) diameter.

**Important Safety Notice**

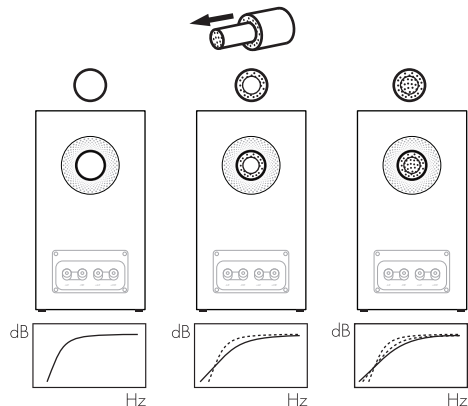
In certain countries, notably those in Europe, the use of 4mm banana plugs is considered a potential safety hazard, because they may be inserted into the holes of unshuttered mains supply sockets. In order to comply with European CENELEC safety regulations, the 4mm holes in the ends of the terminals are blocked by plastic pins. If you are using the products in any country where these conditions apply, you should ensure that any banana plugs cannot be used in an unsafe manner by children or other uninformed persons. The plastic pins can be removed if you wish to use banana plugs.

Ask your dealer for advice when selecting speaker cable. Keep its total impedance below the maximum recommended in the speaker specification and use a low inductance cable to avoid attenuation of high frequencies.

There are two linked pairs of terminals on the back of the speaker. For conventional connection (above left), the terminal links should remain in place (as delivered) and just one pair of terminals connected to the amplifier. For bi-wire connections or bi-amplification (above right), the terminal links should be removed and each pair of terminals connected to the amplifier or amplifiers independently. Bi-wiring can improve the resolution of low-level detail.

Ensure that the positive terminals on the speaker (with red ring) are connected to the positive output terminal on the amplifier and the negative terminals on the speaker (with black ring) are always connected to the negative output terminal on the amplifier. Incorrect connection will not result in damage but will cause poor stereo imaging and loss of bass. Always screw the terminal caps down fully to prevent rattles.

4. Fine-Tuning



Before fine-tuning, make sure that all the connections in the installation are correct and secure.

Moving the speakers further from the walls will generally reduce the volume of bass. Space behind the speakers will also help to create an aural impression of depth. Conversely, moving the speakers closer to the walls will increase the volume of bass. If you want to reduce the volume of bass without moving the speakers further from the wall, fit the foam plugs or, for less severe bass reduction, the foam rings in the port tubes (above).

If the bass seems uneven with frequency this will most probably be due to resonance modes in the listening room. Even small changes in the position of the speakers or the listening position can have a profound effect on how these resonances affect the sound. Try moving the listening position or locating the speakers along a different wall. The presence and position of large pieces of furniture can also influence resonance modes.

If no alternatives exist, you can adjust your loudspeakers' low-frequency performance using the supplied foam plugs. The plugs are a two-piece part, allowing for a degree of fine-tuning using either the outer, larger-diameter piece in isolation or the two parts together. Using solely the outer, larger-diameter foam piece will deliver less bass attenuation than the complete plug assembly.

If the central image lacks focus, try moving the speakers closer together or angle them inward so that they point at a location just in front of the listening position. If the sound is too bright, increasing the amount of soft furnishing in the room (heavier curtains for example) may help balance the sound. Conversely, reducing the amount of soft furnishing may help brighten a dull sound.

For the most discerning listening, remove the grilles by gripping around their edges and gently pulling them away from the cabinet.

5. Running In

The performance of the speaker will change subtly during the initial listening period. If the speaker has been stored in a cold environment, the damping compounds and suspension materials of the drive units will take some time to recover their correct mechanical properties. The drive unit suspensions will also loosen up during the first hours of use. The time taken for the speaker to achieve its intended performance will vary depending on previous storage conditions and how it is used. As a guide, allow up to a week for the temperature effects to stabilise and 15 hours of average use for the mechanical parts to attain their intended design characteristics.

6. Aftercare

The cabinet surfaces will usually only require dusting. We recommend you use a soft microfibre cloth. If you wish to use an aerosol or other cleaner, apply the cleaner onto the cloth, not directly onto the product, and test a small area first, as some cleaning products may damage some of the surfaces. Avoid products that are abrasive, or contain acid, alkali or anti-bacterial agents. Do not use cleaning agents on the drive units. Avoid touching the drive units as damage may result.

1. Déballage

	Grille	Bouchon en mousse	Pied en caoutchouc (auto-adhésif)	Pied en caoutchouc (à visser)	Pointes	Pinthe	Cié Allen	Vis de 45mm	Rondelles	Rondelle de sécurité
603 S3	1	1		4	4	1	1	4	4	4
606 S3 607 S3	2	2	8							
HTM6 S3	1	1	4							

Vérification du contenu du carton

Le tableau ci-dessus illustre les composants contenus dans l'emballage du produit. Dans le cas improbable où il manquerait quelque chose, veuillez contacter le détaillant chez qui vous avez acheté les enceintes.

Information sur l'environnement

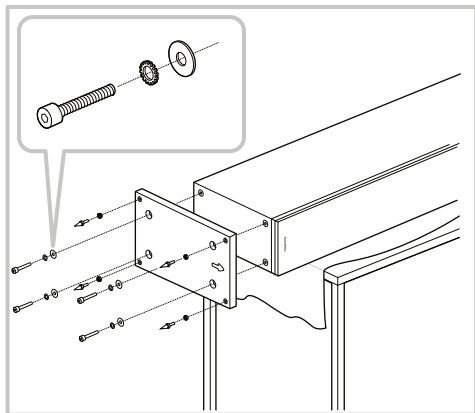
Ce produit est conforme avec les directives internationales, y compris mais sans se limiter à :

- i. la limitation des substances dangereuses (RoHS) dans les équipements électriques et électroniques,
- ii. l'enregistrement, l'évaluation, l'autorisation et la restriction des substances chimiques (REACH)
- iii. l'élimination des déchets électriques et électroniques (WEEE).

Consultez votre organisme local d'élimination des déchets pour des conseils sur la façon appropriée de recycler ou de jeter ce produit.

2. Positionnement

603 S3



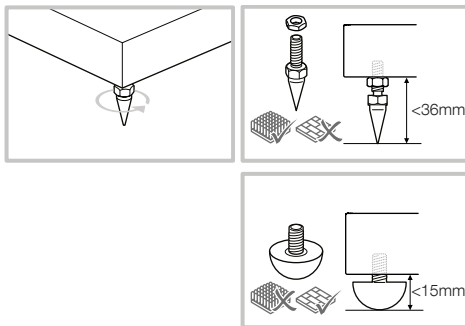
Installation des enceintes 603 S3

La 603 S3 est destinée à être posée au sol uniquement. Pour une bonne stabilité, installez toujours la plinthe fournie, puis assurez-vous que que les enceintes reposent fermement sur le sol à l'aide des pointes ou des pieds en caoutchouc fournis.

Vous pouvez fixer le socle pendant le processus de déballage, en suivant les illustrations ci-dessus ou les schémas figurant sur l'emballage. les illustrations ci-dessus ou les schémas figurant sur le rabat supérieur du carton.

Avertissement

Le socle DOIT toujours être utilisé avec les pieds en caoutchouc ou les pointes insérés dans le socle. N'insérez PAS les pieds en caoutchouc ou les pointes directement dans les enceintes.

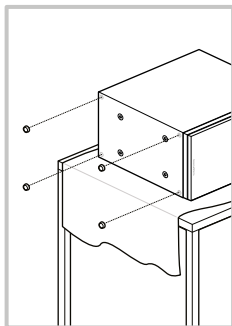


Avertissement de sécurité important

Les pointes sont très pointues, ne pas toucher !

Les pieds-pointes fournis sont conçus pour transpercer la moquette et prendre directement contact sur le sol en dur. Au départ, vissez les écrous de blocage sur les pointes juste assez pour que les écrous flottent juste au-dessus de la moquette lorsque les pointes reposent sur le sol. Vissez complètement les pointes dans les inserts filetés du support de sol. Si l'enceinte n'est pas totalement stable sur le sol, dévissez une ou plusieurs pointes jusqu'à ce que l'enceinte soit parfaitement équilibrée sur le sol. Enfin, bloquez les écrous contre la base et serrez doucement l'écrou pour empêcher le pied-pointe de tourner. Il est conseillé de garantir l'équilibrage parfait de chaque enceinte seulement après avoir précisément déterminé sa position dans la pièce d'écoute.

S'il n'y a pas de tapis/moquette et que vous vouliez éviter d'abîmer la surface du sol, insérer entre la pointe et le sol une rondelle de métal pour le protéger (une pièce de monnaie par exemple) ou servez vous des pieds caoutchouc fournis. Fixez les pieds caoutchouc et ajustez-les de la même façon que les pointes.



606 S3 / 607 S3

Les modèles 606 S3 et 607 S3 sont principalement conçus pour être montés sur un pied dédié (FS-600 S3), mais peuvent être placés sur une étagère si vous le souhaitez. Cependant, il faut noter que cela offre moins de flexibilité pour optimiser les performances de l'enceinte. Si le placement sur une étagère est nécessaire, nous recommandons d'utiliser les bouchons en mousse (fournis) pour optimiser les performances de l'évent (voir Section 4 : Ajustements).

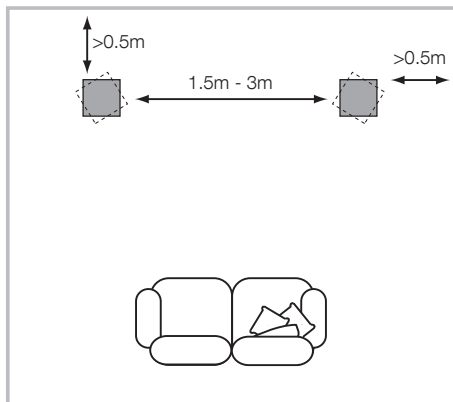
Dans les deux cas, le tweeter de l'enceinte devra se situer à hauteur d'oreille par rapport à votre position d'écoute habituelle.

Remarque : Si vous utilisez une étagère, assurez-vous qu'elle est suffisamment solide pour supporter correctement le poids et fixez les quatre pieds en caoutchouc auto-adhésifs sur la face inférieure de l'enceinte.

HTM6 S3

Si vous utilisez un projecteur avec un écran acoustique transparent, placez l'enceinte derrière le centre de l'écran. Sinon, placez-la directement sous ou au-dessus de l'écran à l'aide d'un pied, d'un meuble ou d'une étagère murale, en veillant à ce que l'enceinte soit aussi proche que possible du niveau des oreilles.

Si l'enceinte doit être placée sur une étagère ou dans un rack



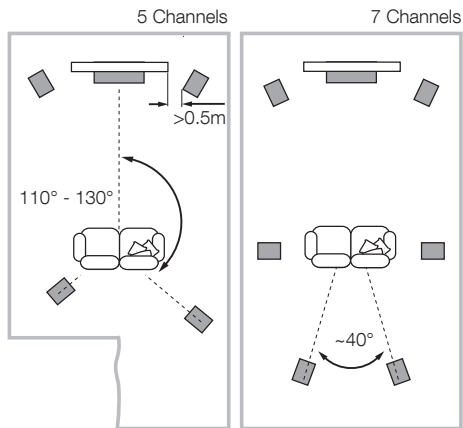
partagé avec d'autres équipements audiovisuels, fixez les quatre pieds en caoutchouc autocollants à la base de l'enceinte. Ils assurent un certain degré d'isolation des vibrations.

Choix de la position

Qu'il s'agisse d'une installation stéréophonique ou multicanal Home Cinema, faites en sorte que l'environnement acoustique de chaque enceinte soit le plus identique possible dans son caractère sonore. Par exemple, si une des enceintes est placée près d'un mur lisse et nu, tandis que l'autre se trouve proche d'épais tissus et tapis, la qualité et l'équilibre stéréophonique finaux risquent fort d'être compromis.

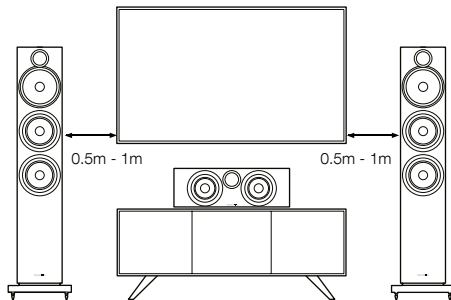
Systèmes stéréophoniques conventionnels

Comme base de départ, placez les deux enceintes éloignées entre 1,5 et 3 mètres l'une de l'autre, formant ainsi les deux angles d'un triangle équilatéral dont le troisième angle sera la position d'écoute privilégiée. Les enceintes doivent être positionnées à au moins 50 cm des murs arrière et périphériques de la pièce (comme indiqué sur le schéma ci-dessus).



Systèmes Home Cinema

Si les enceintes sont utilisées en tant qu'enceintes frontales d'un système Home Cinema, elles doivent être plus rapprochées l'une de l'autre que dans le cas d'une installation stéréophonique traditionnelle, car les enceintes Surround arrière ont tendance à agrandir l'image sonore générale. Positionnez les deux enceintes à environ 50 centimètres de chaque côté de l'écran, afin de conserver une image sonore en rapport avec l'image vidéo. Comme pour un système audio stéréo traditionnel, les enceintes devront idéalement être éloignées d'au moins 50 centimètres des murs adjacents.

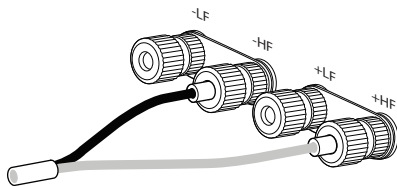


Champs magnétiques

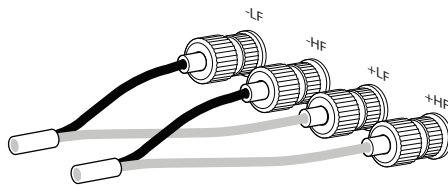
Les haut-parleurs à l'intérieur de l'enceinte génèrent des champs magnétiques qui peuvent s'étendre au-delà du coffret de l'enceinte. Nous vous recommandons donc de tenir éloignés d'au moins 50 centimètres des enceintes les appareils sensibles à ces champs magnétiques (télévisions et moniteurs informatiques à tube cathodique CRT, cassettes et bandes magnétiques audio et vidéo, cartes magnétiques, etc.). Les écrans LCD, OLED et plasma ne sont pas affectés par les champs magnétiques.

3. Connexions

Connexion classique



Connexion bi-câblée

**Avertissement de sécurité**

Tous les branchements doivent être réalisés avec tous les éléments audio hors tension. Lorsque les appareils audio fonctionnent normalement, le fait de toucher les bornes ou les câbles de connexion peut causer une sensation désagréable. Les prises de branchement des 600 S3 acceptent une grande variété de terminaisons de câbles : prises banane 4 mm, fourches 6 mm et 8 mm, ou fil nu jusqu'à 4 mm de diamètre.

**Note importante concernant la sécurité**

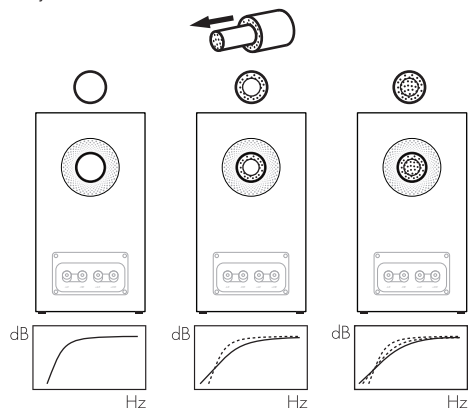
Dans certains pays, notamment en Europe, l'utilisation de fiches banane est considérée comme un risque potentiel d'électrocution, parce que de telles prises peuvent être insérées dans des prises d'alimentation secteur murales non protégées. Afin de satisfaire aux normes de sécurité européennes CENELEC, les trous de 4 mm de ces prises sont donc bloqués par des bouchons en plastique. Si vous utilisez ces prises dans des pays où cette norme de sécurité s'applique, vous devez absolument vous assurer que les fiches banane ne pourront pas être utilisées de manière dangereuse, notamment par des enfants ou des personnes non informées. Les bouchons plastiques doivent être retirés si vous souhaitez utiliser les fiches bananes.

Demandez conseil à votre revendeur pour le choix des câbles de liaison enceintes. Conservez toujours une impédance totale inférieure au maximum recommandé dans les spécifications de l'enceinte et utilisez un câble de faible capacitance pour éviter une atténuation des plus hautes fréquences.

Il y a deux paires de prises réunies entre elles à l'arrière de chaque enceinte. Pour les branchements classiques (ci-dessus à gauche), les connexions reliant les prises (comme installé à la livraison) doivent impérativement rester en place, une seule paire de prises étant alors reliée à l'amplificateur. En cas de bi-câblage ou de bi-amplification (ci-dessus à droite), les liens seront retirés, et chaque paire de prises sera alors reliée à l'amplificateur ou aux amplificateurs de manière indépendante. Ce principe de bi-câblage permet d'améliorer la résolution et la qualité des plus fins détails.

Branchez la prise « positif » de l'enceinte (avec bague rouge) sur la prise de sortie enceinte « positif » de l'amplificateur, et branchez la prise « négatif » (avec bague noir) sur la prise « négatif » de l'amplificateur. Le non-respect de cette polarité plus/moins entraîne une image stéréophonique dégradée et une perte dans le grave. Toujours visser à fond les capuchons des bornes afin d'éviter tout bruit parasite.

4. Ajustements



Avant de procéder à ces réglages, vérifiez que tous les branchements sont correctement effectués, dans toute l'installation, et fermement sécurisés.

Décaler les enceintes par rapport aux murs de la pièce a généralement pour effet de réduire le niveau général du grave. Un espace suffisant derrière les enceintes acoustiques permet également d'améliorer la sensation de profondeur de la reproduction sonore. Inversement, un rapprochement des enceintes par rapport aux cloisons de la pièce entraîne une augmentation du niveau du grave. Si vous souhaitez réduire le volume des basses sans éloigner les enceintes du mur, placez les bouchons en mousse ou, pour une réduction moins importante des basses, les anneaux en mousse dans les tubes des évents (ci-dessus).

Si le niveau de grave vous paraît trop élevé à certaines fréquences, cela est généralement dû à des modes de résonances parasites dans la pièce d'écoute. Une modification, même légère, de la position des enceintes dans la pièce ou de la position d'écoute peut avoir pour effet des améliorations très sensibles, particulièrement pour le rendu du grave. Essayez de changer votre position d'écoute ou de placer les enceintes le long d'un autre mur de la pièce si cela est possible. La présence et la position de certains grands meubles peuvent également influencer les modes de résonance.

S'il n'existe aucune autre solution, vous pouvez ajuster les performances de vos enceintes dans les basses fréquences à l'aide des bouchons en mousse fournis. Les bouchons sont constitués de deux pièces, ce qui permet un réglage fin en utilisant soit la pièce extérieure de plus grand diamètre de manière isolée, soit les deux pièces ensemble. L'utilisation de la seule pièce extérieure en mousse de plus grand diamètre atténuera moins les basses que l'ensemble complet de bouchons.

Si la focalisation centrale de l'image sonore est mauvaise, essayez de rapprocher les deux enceintes acoustiques, et/ou de modifier leur angle (plus fermé) par rapport à la zone centrale d'écoute privilégiée. Si le son paraît trop brillant, ajoutez des meubles ou éléments amortissants dans la pièce (par exemple, des tapis plus nombreux ou épais). Inversement, réduisez l'influence de tels éléments si le son semble trop sourd ou éteint.

Pour une écoute encore plus précise, retirez les grilles de protection des haut-parleurs médium et grave en les prenant par leurs angles et en tirant très doucement vers l'avant.










5. Rodage

Les performances d'une enceinte acoustique se modifient subtilement pendant une période de rodage initiale. Si l'enceinte a été stockée dans un environnement de faible température, ses composants amortissants et les suspensions des haut-parleurs vont demander un peu de temps avant de retrouver leurs qualités mécaniques optimales. De plus, ces suspensions vont également se « libérer » pendant les premières heures d'utilisation. Ce temps de rodage est variable, suivant la température de stockage et la manière dont vous utilisez les enceintes. En moyenne, comptez un week-end pour que les effets de la température se stabilisent, et une quinzaine d'heures d'utilisation normale pour que tous les composants mécaniques atteignent le fonctionnement parfait correspondant à leur conception mécanique.

6. Entretien

La surface du coffret ne nécessitera dans la plupart des cas qu'un simple dépoussiérage. Nous vous recommandons d'utiliser un chiffon doux en microfibre. Si vous souhaitez utiliser un aérosol ou un produit d'entretien, appliquez-le sur le chiffon et non directement sur l'appareil, puis testez d'abord ses effets sur une petite surface, certains produits pouvant endommager les surfaces. Évitez tout produit abrasif, ou contenant de l'acide, de l'ammoniaque, ou des agents anti-bactériens. Ne jamais utiliser de produits d'entretien sur les haut-parleurs. Évitez de toucher les haut-parleurs, car vous pourriez les endommager définitivement.

1. Auspacken

	Grill	Schaumstoff-Einsatz	Gummifuß (selbstklebend)	Gummifuß (aufschraubbar)	Spike-Fuß	Sockel	Inbusschlüssel	45 mm Schraube	Unterlegscheibe	Zahnscheibe
										
603 S3	1	1		4	4	1	1	4	4	4
606 S3 607 S3	2	2	8							
HTM6 S3	1	1	4							

Kartoninhalt

Die obige Tabelle zeigt die mitgelieferten Einzelteile für das jeweilige Produkt. Falls etwas fehlt, wenden Sie sich bitte an den Händler, bei dem Sie die Lautsprecher gekauft haben.

Umweltinformation

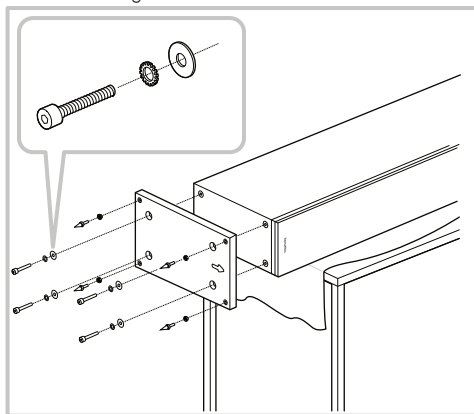
Dieses Produkt entspricht internationalen Richtlinien. Dazu gehören unter anderem:

- i. die Beschränkung der Verwendung bestimmter gefährlicher Stoffe in Elektro- und Elektronikgeräten (**R**estriction of **H**azardous **S**ubstances (kurz RoHS genannt))
- ii. die Registrierung, Bewertung, Zulassung und Beschränkung chemischer Stoffe (**R**egistration, **E**valuation, **A**uthorisation and Restriction of **C**hemicals, kurz REACH)
- iii. die Entsorgung von Elektro- und Elektronik-Altgeräten (**W**aste **E**lectrical and **E**lectronic **E**quipment (WEEE)).

Setzen Sie sich hinsichtlich des Recyclens bzw. der Entsorgung dieses Produktes mit der örtlichen Abfallentsorgung in Verbindung.

2. Positionierung

603 S3



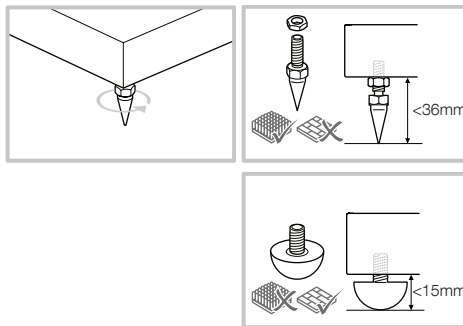
Aufstellen der Lautsprecher 603 S

603 S3 sind nur für die Bodenaufstellung geeignet. Bringen Sie den mitgelieferten Sockel an und sorgen Sie dann dafür, dass die Lautsprecher mit den mitgelieferten Spikes oder Gummifüßen fest auf dem Boden stehen, um einen sicheren Stand zu gewährleisten.

Sie können den Sockel während des Auspackens anbringen, indem Sie den Abbildungen oben oder den Zeichnungen auf der oberen Klappe des Kartons folgen.

Achtung

Zum Einsetzen der Gummi- oder Spike-Füße MUSS immer der Sockel verwendet werden. Setzen Sie Gummi- oder Spike-Füße NICHT direkt in das Gehäuse ein.

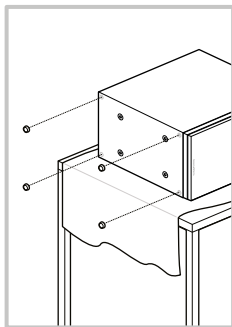


Wichtiger Sicherheitshinweis

Die Spikes haben scharfe Spitzen – nicht berühren.

Die Spikes sind so ausgelegt, dass sie durch einen Teppich hindurchgehen und auf der Bodenoberfläche aufliegen. Schrauben Sie die Kontermuttern zunächst nur so weit auf die Spikes, dass sich die Muttern knapp über dem Teppich befinden, wenn die Spikes auf dem Boden aufliegen. Drehen Sie die Spikes vollständig in die Gewindebohrungen des Sockels. Sollte das Gehäuse wackeln, wenn es auf den Boden gestellt wird, so lösen Sie die beiden nicht aufliegenden Spikes, bis der Lautsprecher fest auf dem Boden steht. Zum Schluss die Muttern gegen den Sockel kontern und die Mutter leicht anziehen, um eine Drehung des Spikes zu verhindern. Es ist sinnvoll, die Spikes erst dann anzubringen und einzustellen, wenn Sie die optimale Position für den Lautsprecher gefunden haben.

Liegt kein Teppich und möchten Sie ein Zerkratzen der Bodenoberfläche vermeiden, legen Sie entweder jeweils eine Schutzscheibe (vielleicht eine Münze) unter die Spikes oder verwenden die beiliegenden Gummifüße.



606 S3 / 607 S3

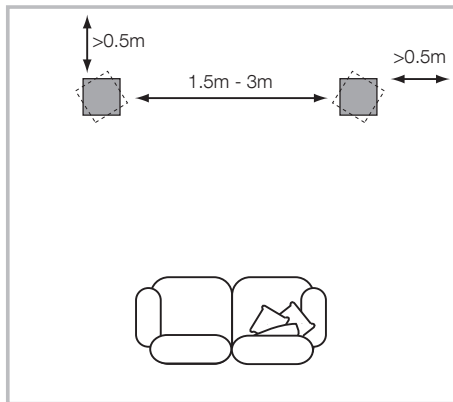
Die Modelle 606 S3 und 607 S3 sind in erster Linie für die Montage auf einem speziellen Bodenständler (FS-600 S3) vorgesehen, können aber auch auf einem Regal aufgestellt werden. Allerdings ist hierdurch ein geringeres Maß an Flexibilität bei der Optimierung der Audio-Performance gegeben. Wird der Lautsprecher auf ein Regal gestellt, empfehlen wir, die beiliegenden Schaumstoffeinsätze zur Optimierung der Basswiedergabe zu verwenden (siehe Kapitel 4: Feinabstimmung).

In beiden Fällen sollte sich der Hochtöner des Lautsprechers in Ohrhöhe befinden, wenn Sie sich in Ihrer gewohnten Sitzposition befinden.

Hinweis: Bei Regalaufstellung vergewissern Sie sich, dass dieses stabil genug ist, um das Gewicht zu tragen, und bringen Sie die vier selbstklebenden GummifüÙe an der Unterseite des Lautsprechers an.

HTM6 S3

Wenn Sie einen Projektionsfernseher mit einem akustisch transparenten Bildschirm verwenden, positionieren Sie den Lautsprecher hinter der Mitte des Bildschirms. Andernfalls positionieren Sie ihn entweder direkt unter oder über dem



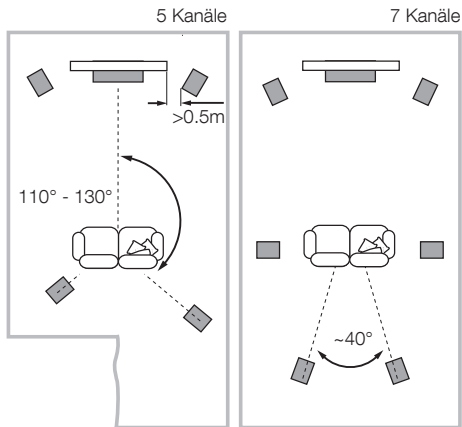
Bildschirm mit Hilfe eines Bodenständlers, eines Möbelstücks oder eines Wandregals, wobei Sie darauf achten sollten, dass sich der Lautsprecher so weit wie möglich auf Ohrhöhe befindet. Wenn der Lautsprecher auf einem Regal oder in einem gemeinsamen Rack mit anderen AV-Geräten aufgestellt werden soll, befestigen Sie die vier selbstklebenden GummifüÙe an der Unterseite des Lautsprechers. Sie sorgen für ein gewisses Maß an Schwingungsisolierung.

Positionierung der Lautsprecher

Versuchen Sie sowohl bei Stereo- als auch bei Heimkino-Installationen sicherzustellen, dass die direkte Umgebung in puncto Akustik für alle Lautsprecher ähnlich ist. Befindet sich beispielsweise ein Lautsprecher in der Nähe einer nackten Wand, während der andere Lautsprecher von weichen Einrichtungsgegenständen und Vorhängen umgeben ist, so leiden darunter die Klangqualität und das Stereoklangbild.

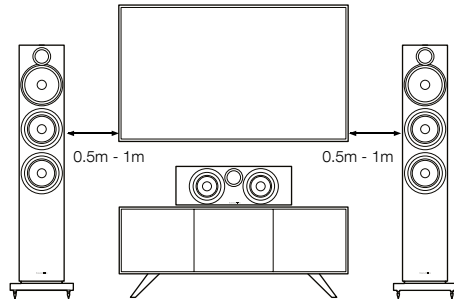
Herkömmliche Stereosysteme

Zunächst sind die Lautsprecher in einem Abstand von 1,5 bis 3 m in zwei Ecken eines gleichseitigen Dreiecks zu platzieren, das an der dritten Ecke durch den Hörbereich vervollständigt wird. Die Lautsprecher sollten mindestens 0,5 m von der Rückwand und etwaigen Seitenwänden entfernt aufgestellt werden (wie in der obigen Abbildung dargestellt).



Heimkinosysteme

Werden die Lautsprecher für die Frontkanäle eines Heimkinosystems genutzt, so sollten die Lautsprecher näher zusammengestellt werden als bei 2-Kanal-Audiosystemen, da die Surroundkanäle zu einer Erweiterung des Klangbildes führen. Eine Positionierung der Lautsprecher innerhalb von ungefähr $0,5\text{ m}$ zu den Seiten des Bildschirms ist darüber hinaus sehr hilfreich, um das Klangbild optimal an das visuelle Bild anzupassen. Wie bei der Positionierung in konventionellen Stereosystemen sollten die Lautsprecher einen Abstand von mindestens $0,5\text{ m}$ zu den Seitenwänden haben.

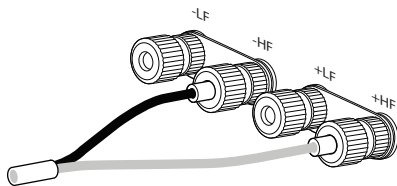


Magnetische Streufelder

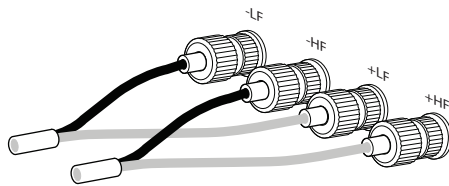
Die Lautsprecherchassis erzeugen ein magnetisches Streufeld, das über die Gehäusegrenzen hinaus reicht. Daher empfehlen wir, einen Mindestabstand von $0,5\text{ m}$ zwischen magnetisch empfindlichen Artikeln (CRT-Fernsehgeräten, Computerbildschirmen, Discs, Audio- und Videobändern, Scheckkarten usw.) und Lautsprechern zu bewahren. Magnetische Streufelder haben keinen Einfluss auf LCD-, OLED- und Plasma-Bildschirme.

3. Anschließen der Lautsprecher

Herkömmlicher Anschluss



Bi-Wiring Anschluss



Wichtiger Sicherheitshinweis

Beim Anschließen sollten alle Audiogeräte abgeschaltet sein. Bei der Verwendung von Audiogeräten im normalen Betrieb kann das Berühren von nicht isolierten

Lautsprecheranschlüssen oder Kabeln zu einem unangenehmen Gefühl führen. Die Lautsprecherklemmen bieten eine Reihe von Anschlussmöglichkeiten: So können 4-mm-Bananenstecker, 6-mm- und 8-mm-Kabelschuhe sowie blanke Drähte bis zu einem Durchmesser von 4 mm angeschlossen werden.



Wichtiger Sicherheitshinweis

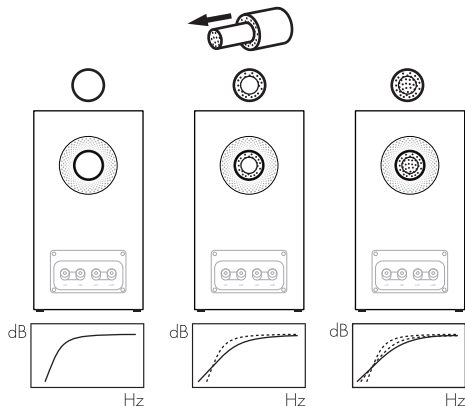
In einigen, hauptsächlich europäischen Ländern wird die Verwendung von 4-mm-Bananensteckern als mögliches Sicherheitsrisiko betrachtet, da sie in die Löcher nicht gesicherter Netzsteckdosen gesteckt werden könnten. Um den europäischen CENELEC-Sicherheitsvorschriften zu entsprechen, sind die 4-mm-Löcher in den Enden der Anschlussklemmen mit Kunststoffstiften gesichert. Setzen Sie den Lautsprecher in einem dieser Länder ein, sollten Sie sicherstellen, dass die Bananenstecker nicht unsachgemäß von Kindern oder anderen nicht informierten Personen genutzt werden. Die Kunststoffstifte können entfernt werden, wenn Sie Bananenstecker verwenden möchten.

Lassen Sie sich bei der Auswahl der Lautsprecherkabel von Ihrem autorisierten Fachhändler beraten. Die Gesamtimpedanz sollte unterhalb der in den Technischen Daten angegebenen maximalen Kabelimpedanz liegen. Insbesondere sollte das zum Hochtoner führende Kabel eine geringe Induktivität besitzen, da sehr hohe Töne sonst gedämpft werden.

An der Lautsprecherrückseite sind jeweils zwei Anschlussklemmen über Brücken miteinander verbunden. Im konventionellen Betrieb (siehe oben links) bleiben die Brücken (wie bei der Lieferung) in ihrer Position und nur ein Anschlussklemmenpaar wird an den Verstärker angeschlossen. Sollen die Lautsprecher im Bi-Wiring-Verfahren betrieben werden (siehe oben rechts), müssen zunächst die Brücken entfernt werden. Hierbei werden alle vier Anschlussklemmen mit dem Verstärker verbunden. Bi-Wiring kann die Detailtreue im Tiefenbereich verbessern.

Stellen Sie sicher, dass die positiven (mit rotem Ring) Anschlussklemmen am Lautsprecher mit dem positiven Ausgang am Verstärker und die negativen (mit schwarzem Ring) Anschlussklemmen mit dem negativen Ausgang am Verstärker verbunden werden. Ein nicht korrektes Anschließen der Kabel kann zu einer Verschlechterung des Klangbildes und zu Bassverlusten führen. Schrauben Sie die Anschlusskappen immer vollständig fest, um ein Klappern zu verhindern.

4. Feinabstimmung



Vergewissern Sie sich vor der Feinabstimmung Ihres Systems noch einmal, dass alle Verbindungen richtig hergestellt wurden und alle Kabel ordnungsgemäß angeschlossen sind.

Ein größerer Abstand zwischen Lautsprechern und Wänden führt zu einer Reduzierung des Bassniveaus. Der Raum hinter den Lautsprechern schafft auch einen Eindruck der Tiefe. Umgekehrt wird das Bassniveau erhöht, wenn die Lautsprecher näher an die Wände gestellt werden. Möchten Sie das Bassniveau reduzieren, ohne den Abstand zwischen Lautsprechern und Wand zu vergrößern, setzen Sie die Schaumstoffeinsätze in die Bassreflexöffnungen ein (siehe oben).

Steht das Bassniveau nicht im Einklang mit der Frequenz, so ist dies auf starke Resonanzen im Raum zurückzuführen. Selbst kleinste Änderungen bei der Lautsprecherpositionierung bzw. in der Hörposition können, besonders bei tiefen Frequenzen, eine erhebliche Wirkung auf die wahrgenommene Klangqualität haben. Versuchen Sie also, Ihre Hörposition zu verändern oder Ihre Lautsprecher an eine andere Wand zu stellen. Auch das Vorhandensein und die Position großer Möbelstücke können Resonanzmoden beeinflussen.

Wenn es keine Alternativen gibt, können Sie die Tieftonleistung Ihrer Lautsprecher mit den mitgelieferten Schaumstoffeinsätzen anpassen. Die Einsätze sind zweiteilig und ermöglichen eine gewisse Feinabstimmung, indem entweder das äußere Stück mit dem größeren Durchmesser einzeln oder beide Teile zusammen verwendet werden. Wenn Sie nur das äußere Schaumstoffstück mit dem größeren Durchmesser verwenden, werden die Bässe weniger stark gedämpft als bei einem zweiteiligen Schaumstoffeinsatz.

Ist das Klangbild in der Mitte schlecht, stellen Sie die Lautsprecher näher zusammen oder so auf, dass sie in Richtung Hörbereich zeigen. Ist der Klang zu schrill, hilft die Verwendung weicher Einrichtungsgegenstände (wie z. B. schwerer Vorhänge). Umgekehrt sollte man bei dumpfem, leblosem Klang die Verwendung solcher Einrichtungsgegenstände auf ein Minimum reduzieren.

Der anspruchsvolle Hörer sollte den Grill für den Tief-/Mitteltonbereich entfernen, indem er die Kanten umfasst und sie vorsichtig vom Gehäuse abzieht.

5. Einlaufphase

In der Einlaufphase gibt es feine Unterschiede in der Wiedergabequalität des Lautsprechers. Wurde er in einer kühlen Umgebung gelagert, so wird es einige Zeit dauern, bis die Dämpfungskomponenten und die für die Aufhängung der Chassis eingesetzten Werkstoffe ihre optimalen mechanischen Eigenschaften besitzen. Die Aufhängung der Chassis wird mit den ersten Betriebsstunden beweglicher. Die Zeit, die der Lautsprecher benötigt, um seine maximale Leistungsfähigkeit zu entwickeln, schwankt abhängig von den vorherigen Lager- und Einsatzbedingungen. Grundsätzlich kann man sagen, dass es eine Woche dauert, bis sich die Lautsprecher nach Temperatureinwirkungen stabilisiert haben. 15 Betriebsstunden sind erforderlich, bis die mechanischen Teile ihre Funktion, wie bei der Konstruktion festgelegt, erfüllen können.

6. Pflege

Die Gehäuseoberfläche muss in der Regel nur abgestaubt werden. Wir empfehlen die Verwendung eines weichen Mikrofasertuchs. Bei Verwendung eines Aerosol- oder sonstigen Reinigers sprühen Sie diesen zunächst auf das Tuch, nicht direkt auf das Gerät. Testen Sie zunächst an einer kleinen, unauffälligen Stelle, da einige Reinigungsprodukte die Oberflächen beschädigen. Verwenden Sie keine scharfen bzw. säure- oder alkalihaltigen oder antibakteriellen Produkte. Verwenden Sie für die Chassis keine Reinigungsmittel. Vermeiden Sie es, die Lautsprecherchassis zu berühren, da dies zu Beschädigungen führen kann.

1. Desembalaje

	Rejilla Protectora	Tapón de Espuma	Pie de Goma (autoadhesivo)	Pie de Goma (enroscable)	Punta Metálica	Base (Plinto)	Llave Allen	Tornillo de 45 mm	Arandela Plana	Arandela Antivibración
603 S3	1	1		4	4	1	1	4	4	4
606 S3 607 S3	2	2	8							
HTM6 S3	1	1	4							

Contenido del Embalaje

La tabla superior ilustra los componentes que acompañan al producto. En el poco probable caso de que faltara alguno de ellos, le rogamos que contacte con el distribuidor donde adquirió sus cajas acústicas.

Información Relativa a la Protección del Medio Ambiente

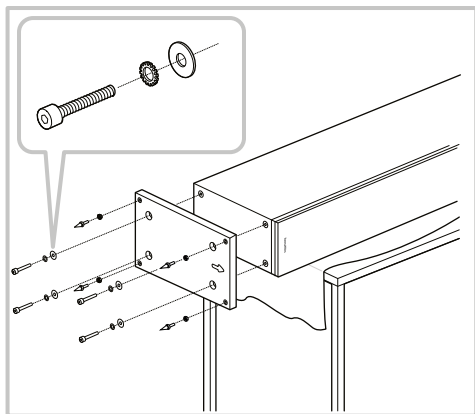
Este producto satisface varias directivas internacionales relacionadas con la protección del medio ambiente. Entre ellas se incluyen –aunque no son las únicas– las siguientes:

- i. la de Restricción del Uso de Sustancias Peligrosas (RHoS) en equipos eléctricos y electrónicos.
- ii. la de Registro, Evaluación, Autorización y Restricción del Uso de Componentes Químicos (REACH).
- iii. la de Eliminación de Residuos Procedentes de Componentes Eléctricos y Electrónicos (WEEE).

Contacte con sus autoridades locales en materia de gestión de residuos para que le orienten sobre cómo desechar este producto adecuadamente.

2. Ubicación

603 S3



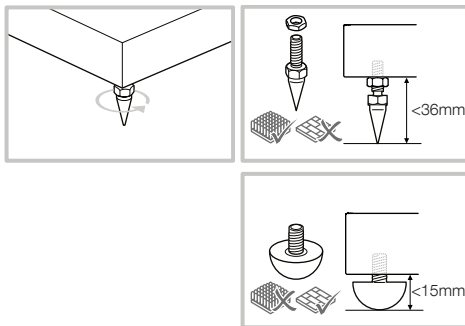
Instalación de las Cajas Acústicas 603 S3

La 603 S3 está diseñada para ser montada únicamente en el suelo. Para lograr la estabilidad adecuada, instale siempre la base (plinto) suministrada de serie y a continuación asegúrese de que las cajas acústicas descansen firmemente sobre el suelo utilizando las puntas metálicas o los pies de goma suministrados de serie.

Si lo desea, puede fijar la base (plinto) durante el proceso de desembalaje siguiendo las ilustraciones que figuran arriba o los diagramas que hay en la aleta superior del embalaje.

Advertencia

La base (plinto) DEBE usarse siempre, con los pies de goma o las puntas metálicas insertados en la misma. NO inserte los pies de goma o las puntas metálicas directamente en el recinto.

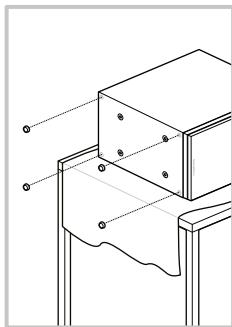


Aviso de Seguridad Importante

Puntas afiladas, no tocar.

Las puntas de desacoplo están diseñadas para que perforen la alfombra y descansen sobre la superficie del suelo. Inicialmente, atornille las tuercas de fijación en las puntas metálicas lo suficientemente alejadas para que las primeras floten justo por encima de la alfombra cuando las segundas descansen sobre el suelo que hay debajo. A continuación, fije por completo las puntas en los orificios dispuestos para ello en el plinto (base). Si el recinto se mueve cuando esté en su posición definitiva, afloje las dos puntas que no toquen el suelo hasta que aquél descance firmemente sin moverse. Ya para finalizar, fije las tuercas contra la base y apriételas suavemente para que la punta de desacoplo deje de girar. Es posible que resulte más cómodo colocar y ajustar las puntas una vez optimizada la posición de la caja acústica.

En caso de que no haya ninguna alfombra y usted desee impedir que se raye la superficie del suelo, utilice o bien un disco protector metálico (una moneda también podría servir) entre la punta y el suelo o bien los tacos de goma suministrados por el fabricante. Coloque los tacos de goma y nivele el recinto del mismo modo que con las puntas de desacoplo.



606 S3 / 607 S3

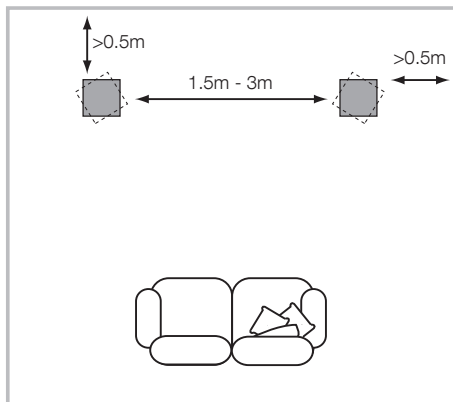
La 606 S3 y la 607 S3 están diseñadas primordialmente para ser montadas en un soporte de suelo dedicado (FS-600 S3), pero en caso de que así se desee pueden ser colocadas en una estantería. No obstante, debería tener en cuenta que esta última opción ofrece menos flexibilidad a la hora de optimizar las prestaciones de la caja acústica. En el caso de que el montaje en una estantería sea el único posible, recomendamos el uso de los tapones de espuma suministrados de serie para optimizar las prestaciones (ver Sección 4: Ajuste Fino).

Sea cual sea el tipo de instalación elegido, los tweeters deberían situarse aproximadamente a la altura de los oídos en la posición de escucha habitual.

Nota: En el caso de que utilice una estantería, asegúrese de que sea lo suficientemente robusta para soportar el peso de la caja acústica y coloque los pies de goma autoadhesivos en la parte inferior de la misma.

HTM6 S3

En el caso de que vaya a usar un videoproector con una pantalla acústicamente transparente, coloque la caja acústica detrás de dicha pantalla. En caso contrario, colóquela bien debajo o encima de la pantalla utilizando un soporte de suelo bien en un estante



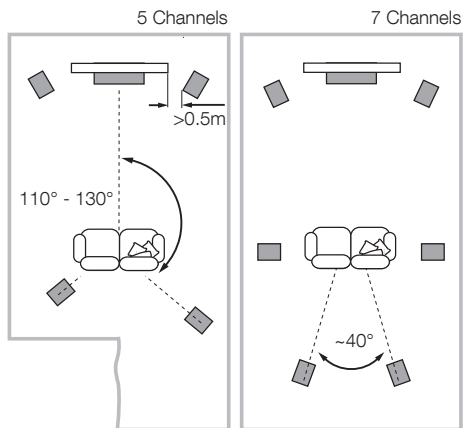
mural asegurando que la caja acústica esté lo más cerca posible de la altura del oído. Si la caja acústica va a ser colocada bien en un estante, bien en un mueble junto con otros componentes de A/V, fije los cuatro pies de goma autoadhesivos a la base de la caja acústica para incrementar el grado de aislamiento frente a posibles vibraciones.

Colocación de la Caja Acústica

Tanto en instalaciones estereofónicas como de Cine en Casa, intente asegurarse de que las zonas que rodean inmediatamente a cada caja acústica sean similares desde el punto de vista acústico. Por ejemplo, si una caja acústica está junto a una pared desnuda mientras que la otra está cerca de mobiliario y cortinas blandos, es más que probable que tanto la calidad sonora global como la imagen estereofónica queden seriamente comprometidas.

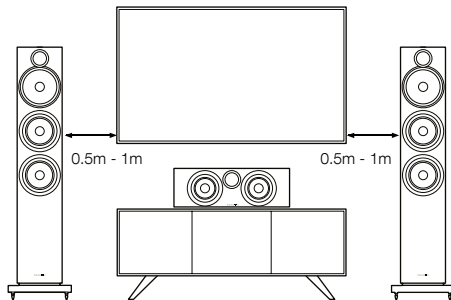
Sistemas Estereofónicos Convencionales

Para empezar, las cajas acústicas deberían colocarse, separadas entre sí de 1'5 a 3 metros, en los dos vértices de un triángulo equilátero cuyo tercer vértice esté situado en el punto de escucha. Las cajas acústicas deberían separarse un mínimo de 0'5 m de la pared que tengan detrás y de cualquier pared lateral (ver dibujo superior).



Sistemas de Cine en Casa

Si las cajas acústicas van a ser utilizadas para los canales frontales (principales) de un sistema de Cine en Casa, deberían estar más cerca entre sí que en un equipo de audio de 2 canales porque los canales de sonido envolvente tienden a ensanchar la imagen sonora. La colocación de las cajas acústicas a unos 0'5 metros de distancia de cada lado de la pantalla de visualización también ayudará a que la imagen del sonido envolvente esté proporcionada con respecto a la imagen visual. Al igual que sucede con el posicionado en sistemas estereofónicos convencionales, idealmente las cajas acústicas deberían estar separadas un mínimo de 0'5 metros de cualquier pared lateral.

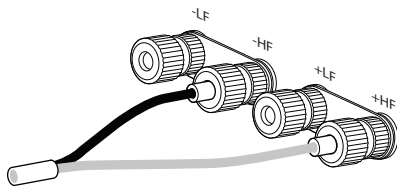


Campos Magnéticos Parásitos

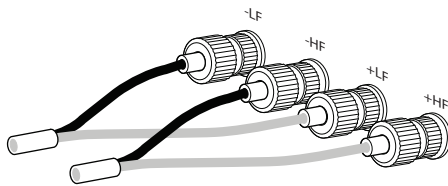
Los altavoces de las cajas acústicas crean campos magnéticos parásitos que se extienden más allá de las fronteras físicas del recinto. Es por ello que le recomendamos que aleje todos aquellos objetos magnéticamente sensibles (pantallas de televisor y ordenador basadas en tubos de rayos catódicos, discos de ordenador, cintas de audio y vídeo, tarjetas con banda magnética y cosas por el estilo) al menos 0'5 metros de la caja acústica. Las pantallas de plasma, LCD y OLED no son afectadas por los campos magnéticos.

3. Conexiones

Conexión Convencional



Conexión en Bicableado

**Aviso de Seguridad Importante**

Todas las conexiones deberían realizarse con el equipo de sonido apagado. Cuando se utiliza un equipo de audio en condiciones de funcionamiento normales, tocar terminales o cables de conexión a cajas acústicas no aisladas puede provocar una sensación muy desagradable. Los terminales de conexión de la 600 S3 aceptan una extensa variedad de terminaciones del cable: clavijas de tipo banana de 4 mm, cuchillas planas ("spades") de 6 y 8 mm u cables pelados de hasta 4 mm de diámetro.

**Noticia Importante Relacionada con la Seguridad:**

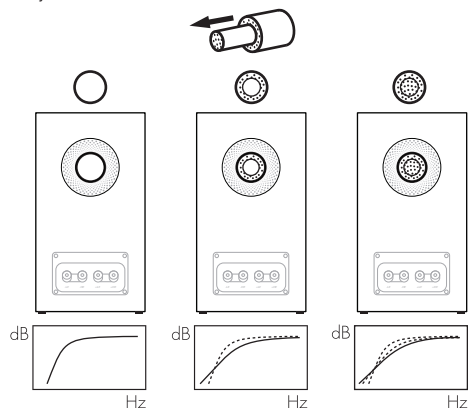
En ciertos países, sobre todo en Europa, las clavijas de tipo banana de 4 mm son consideradas como potencialmente peligrosas en términos de seguridad porque pueden ser insertadas por error en los orificios de tomas de corriente eléctrica no protegidas. Con el fin de satisfacer la normativa europea de seguridad CENELEC, los orificios de 4 mm situados en los extremos de los terminales están bloqueados por patillas de plástico. Si usted va a utilizar los productos en algún país en el que se aplique dicha normativa, asegúrese de que las clavijas de tipo banana no puedan ser empleadas de manera no segura por niños u otras personas no informadas. Si desea utilizar clavijas de tipo banana puede retirar las patillas de plástico.

Consulte a su distribuidor para que le aconseje a la hora de elegir el cable de conexión. Mantenga siempre la impedancia total por debajo del máximo recomendado en las características técnicas y utilice un cable de baja inductancia para evitar que se produzcan atenuaciones en las frecuencias más altas.

En la parte posterior de la caja acústica hay dos pares de terminales de conexión unidos entre sí con sendos puentes. Para realizar una conexión convencional (arriba, izquierda) dichos puentes deberían permanecer en su lugar (situación original, es decir de fábrica) y por tanto solamente deberían conectarse un par de terminales al amplificador. Para la conexión en bicableado o bi-amplificación (arriba, derecha) los puentes deberían retirarse para poder conectar por separado cada par de terminales al amplificador o amplificadores empleados. El bicableado puede mejorar la resolución de los detalles de baja frecuencia.

Asegúrese de que los terminales positivos de la caja acústica (con un anillo rojo) son conectados al terminal de salida positivo del amplificador y que los terminales negativos de la caja acústica (con un anillo negro) son conectados al terminal de salida negativo del amplificador. Una conexión incorrecta podría tener como resultado una imagen sonora pobre y una pérdida de graves. Fije siempre por completo la tuerca de los terminales de conexión para evitar que se produzcan vibraciones.

4. Ajuste Fino



Antes de proceder al ajuste fino, verifique cuidadosamente que todas las conexiones de la instalación sean correctas y seguras.

Cada vez que aumente la separación entre las cajas acústicas y las paredes laterales y posterior de la sala se reducirá el nivel general de graves. El espacio situado detrás de las cajas también contribuye a crear una sensación aurál de profundidad. Por el contrario, si acerca las cajas acústicas a las paredes el nivel de graves aumentará. Si desea reducir el nivel de graves sin separar más las cajas acústicas de la pared, coloque los tapones de espuma en los puertos bass-reflex. Si desea que la reducción de graves sea menos severa, coloque los anillos de espuma en los puertos bass-reflex (dibujo superior).

Si la respuesta en graves parece poco uniforme con la frecuencia, lo más probable es que ello se deba a las propiedades acústicas de su sala de escucha. Incluso pequeños cambios en la posición de las cajas acústicas o del punto de escucha pueden tener un efecto significativo en las prestaciones sonoras, especialmente las frecuencias más bajas. Si es posible, intente desplazar su posición de escucha o ubicar las cajas acústicas a lo largo de una pared diferente. La presencia y la posición de muebles de gran tamaño también pueden influir en los modos de resonancia.

En caso de que no existan alternativas, puede ajustar la respuesta en graves de sus cajas acústicas utilizando los tapones de espuma suministrados de serie. Dichos tapones están compuestos de dos partes para proporcionar un cierto nivel de ajuste fino usando bien la de mayor diámetro —es decir la exterior— en solitario o las dos juntas. El uso de la pieza de espuma de mayor diámetro en solitario proporcionará menos atenuación de graves que el juego de tapones completo.

Si la imagen central carece de focalización, intente acercar las cajas acústicas entre sí o inclínelas de manera que apunten hacia los oyentes o estén encaradas hacia ellos. Si el sonido es demasiado brillante (léase chillón), el aumento de la cantidad de materiales blandos (generalmente fonoabsorbentes) presentes en la sala (utilice, por ejemplo, cortinas más pesadas) puede ayudar a equilibrarlo. Por el contrario, si se reduce la presencia de los citados materiales se conseguirá incrementar el nivel de brillo de un sonido apagado y carente de vida.

Para los más puristas, un buen consejo consiste en quitar la rejilla protectora de los altavoces de medios y graves sujetándola por su contorno y retirándola cuidadosamente del recinto.

5. Período de Rodaje

Las prestaciones de la caja acústica cambiarán de manera sutil durante el período de escucha inicial. Si la caja ha estado almacenada en un ambiente frío, tanto los materiales absorbentes y de amortiguamiento acústico como los que forman parte de los sistemas de suspensión de los diferentes altavoces tardarán cierto tiempo en recuperar sus propiedades mecánicas correctas. Las suspensiones de los altavoces también se relajarán durante las primeras horas de uso. El tiempo que la caja acústica necesite para alcanzar las prestaciones para las que fue diseñada variará en función de las condiciones de almacenamiento previas de la misma y de cómo se utilice. A modo de guía, deje transcurrir una semana para la estabilización térmica de la caja y unas 15 horas de uso en condiciones normales para que las partes mecánicas de la misma alcancen las características de funcionamiento para las que fueron diseñadas.

6. Cuidado y Mantenimiento

Por regla general, la superficie del recinto sólo requiere que se le quite el polvo. Recomendamos el uso de una gamuza suave de microfibras. Si desea utilizar un limpiador de tipo aerosol o de otro tipo, aplíquelo en la gamuza de limpieza, nunca directamente sobre el producto. Pruebe primero con un área pequeña, ya que algunos productos de limpieza pueden dañar algunas de las superficies. Evite utilizar productos abrasivos o que contengan ácido, álcalis o agentes antibacterianos. No utilice productos de limpieza en los altavoces. Asimismo, evite tocar los transductores ya que podría dañarlos.

1. Desempacotamento

	Grelha	Cilindro de espuma	Pé de borracha (autocolante)	Pé de borracha (roscado)	Pé de cavilha	Base	Chave Allen	Parafuso de 45 mm	Anilha plana	Anilha resistente à vibração
603 S3	1	1		4	4	1	1	4	4	4
606 S3 607 S3	2	2	8							
HTM6 S3	1	1	4							

Conteúdos da caixa

A tabela acima ilustra os componentes que estão incluídos com o produto. No caso pouco provável de faltar algum componente, contacte o vendedor responsável pela venda das colunas.

Informação ambiental

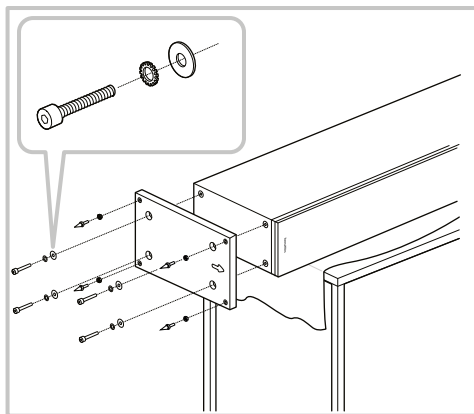
Este produto está em conformidade com diretivas internacionais, incluindo, entre outras, as seguintes:

- i. Diretiva relativa à restrição do uso de determinadas substâncias perigosas (RoHS: **R**estriction **o**f **H**azardous **S**ubstances) em equipamentos elétricos e eletrónicos;
- ii. Regulamento relativo ao registo, avaliação, autorização e restrição de substâncias químicas (REACH: **R**egistration, **E**valuation, **A**uthorisation and restriction of **C**hemicals);
- iii. Diretiva relativa aos **R**esíduos de **E**quipamentos **E**letrónicos e **E**létricos (REEE).

Consulte uma entidade local de recolha de resíduos para obter informação sobre como reciclar ou eliminar este produto de forma correta.

2. Posicionamento

603 S3



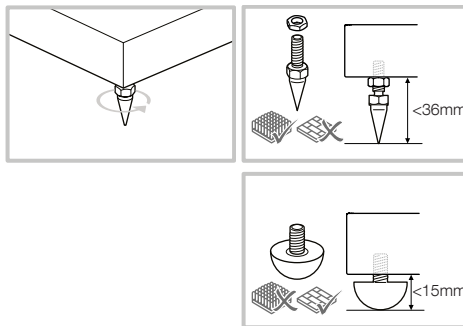
Instalação das colunas 603 S3

A coluna 603 S3 foi concebida para ser instalada apenas no chão. Para uma estabilidade adequada, instale sempre a base fornecida e certifique-se de que as colunas assentam firmemente no chão utilizando os pés de cavilha ou borracha fornecidos.

Poderá fixar a base durante o processo de desempacotamento, seguindo as ilustrações acima ou os diagramas na aba superior da caixa.

Aviso

A base DEVE ser sempre utilizada, com os pés de cavilha ou borracha inseridos na mesma. NÃO insira os pés de cavilha ou borracha diretamente na caixa.

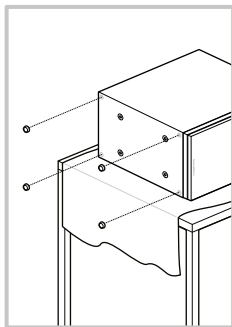


Aviso de segurança importante

Cavilhas pontiagudas, não tocar.

Os pés de cavilha foram concebidos para furar tapetes, ficando apoiados na superfície do chão. Comece por apertar as contraporcas nas cavilhas apenas o suficiente para que fiquem suspensas imediatamente acima do tapete, com as cavilhas apoiadas no chão. Em seguida, aperte completamente as cavilhas nos encaixes roscados da base. Se a caixa oscilar quando estiver colocada no chão, desaperte as duas cavilhas que não estão em contacto com o chão, até que a caixa esteja firmemente apoiada e não oscile. Para concluir, bloqueie as porcas na base e aperte-as cuidadosamente para evitar a rotação dos pés de cavilha. Poderá ser mais conveniente instalar e ajustar os pés das cavilhas depois de se alcançar um posicionamento ideal das colunas.

Se não existir um tapete e pretender evitar arranhar a superfície do solo, utilize um disco de proteção de metal (uma moeda, por exemplo) entre a cavilha e o chão, ou o pé de borracha fornecido. Instale os pés de borracha e nivele a caixa da mesma forma que fez com as bases das cavilhas.



606 S3 / 607 S3

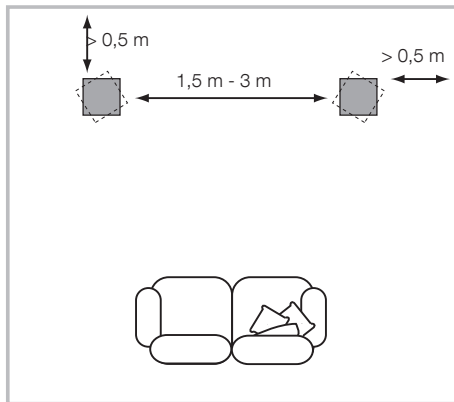
As colunas 606 S3 e 607 S3 foram originalmente concebidas para serem instaladas num suporte de chão específico (FS-600 S3), mas poderão ser colocadas numa prateleira, se assim preferir. No entanto, importa referir que esta solução oferece menos flexibilidade quanto à otimização do desempenho das colunas. Se as colunas forem colocadas numa prateleira, recomendamos a utilização dos cilindros de espuma (fornecidos) para otimizar o desempenho das portas (consultar a secção 4: Ajustes).

Em ambos os casos, os tweeters das colunas devem ficar sensivelmente ao nível dos ouvidos, tendo em conta a sua posição de audição habitual.

Nota: se utilizar uma prateleira, certifique-se de que esta é suficientemente resistente para suportar adequadamente o peso e aplique os quatro pés de borracha autocolantes na parte inferior da coluna.

HTM6 S3

Se utilizar um projetor com um ecrã acusticamente transparente, coloque a coluna atrás do centro do ecrã. Caso contrário, posicione-a diretamente abaixo ou acima do ecrã utilizando um suporte, móvel ou prateleira de parede, certificando-se de que a coluna fica o mais perto possível da altura dos ouvidos. Se a



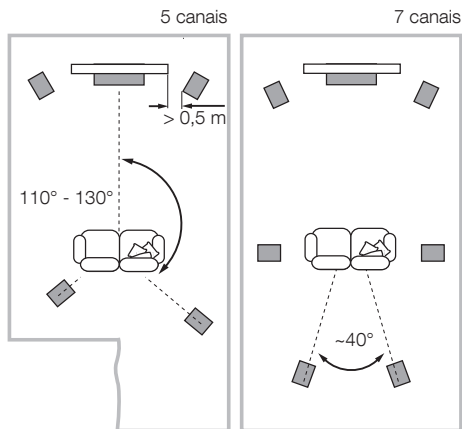
coluna for colocada numa prateleira ou num móvel com outro equipamento AV, fixe os quatro pés de borracha autocolantes à base da coluna. Estas proporcionam algum isolamento da vibração.

Posicionamento das colunas

Seja em instalações de sistemas estéreo ou em instalações de cinema em casa, assegure-se de que o espaço envolvente de cada coluna tem características acústicas semelhantes. Por exemplo, se uma coluna estiver próxima de uma parede e a outra estiver perto de cortinados ou de mobília com revestimento macio, a qualidade geral do som e a imagem de sistemas estéreo ficarão comprometidas.

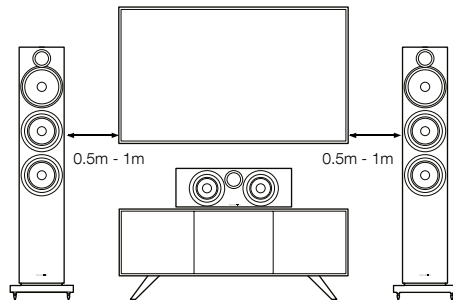
Sistemas estéreo convencionais

Para começar, as colunas devem ser posicionadas a uma distância de 1,5 m a 3 m uma da outra, em dois cantos de um triângulo equilátero que fica completo com a posição de audição, correspondendo esta ao terceiro canto. As colunas devem ser colocadas a, pelo menos, 0,5 m da parede de fundo e de quaisquer paredes laterais (conforme na ilustração acima).



Sistemas de cinema em casa

Se as colunas forem utilizadas para os canais frontais de um sistema de cinema em casa, devem ficar mais próximas uma da outra do que se forem utilizadas para sistemas de áudio de dois canais, já que os canais surround tendem a alargar a imagem. Posicionar as colunas a aproximadamente 0,5 m da parte lateral do ecrã também contribui para manter a imagem acústica equilibrada com a imagem visual. Tal como acontece no posicionamento em sistemas estéreo convencionais, as colunas devem estar a uma distância de, pelo menos, 0,5 m das paredes laterais.

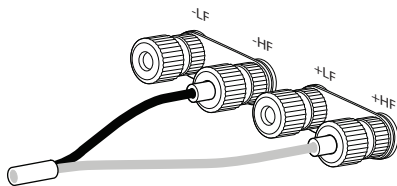


Fluxos de campos magnéticos

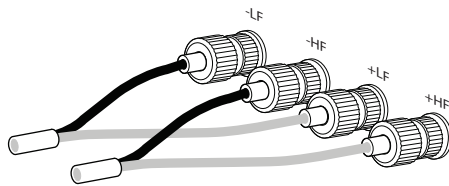
Os diafragmas das colunas criam fluxos de campos magnéticos que se propagam para além dos limites da caixa. Recomendamos que mantenha objetos sensíveis a campos magnéticos (televisores CRT, monitores de computador, discos de computador, cassetes de áudio ou vídeo, cartões com banda magnética e outros semelhantes) a uma distância de, pelo menos, 0,5 m das colunas. Os ecrãs LCD, OLED e plasma não são afetados por campos magnéticos.

3. Ligações

Ligação convencional



Ligação de cablagem dupla

**Aviso de segurança importante**

Todas as ligações devem ser feitas com o equipamento áudio desligado. Quando o equipamento áudio está em utilização normal, tocar nos terminais ou cablagem da coluna sem isolamento pode causar uma sensação desagradável. Os terminais da coluna 600 S3 são compatíveis com várias terminações de cabos: fichas banana de 4 mm, forquilhas de 6 mm e 8 mm (1/4 pol. e 5/16 pol.) ou cabos nus com um máximo de 4 mm (5/32 pol.) de diâmetro.

**Aviso de segurança importante**

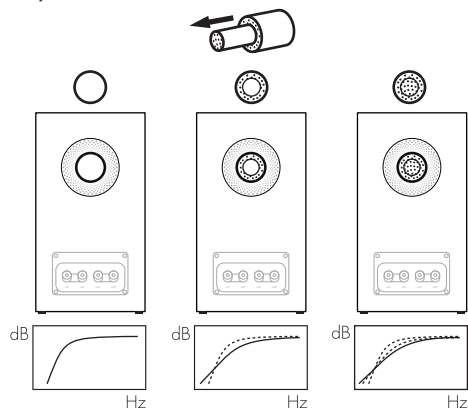
Em alguns países, especialmente europeus, a utilização de fichas banana de 4 mm é considerada um risco potencial de segurança, uma vez que podem ser introduzidas em tomadas de parede desprotegidas. De forma a cumprir as normas de segurança europeias CENELEC, os orifícios de 4 mm nas extremidades dos terminais estão bloqueados por pinos de plástico. Se estiver a utilizar os produtos num país onde estas condições se apliquem, deve garantir que as fichas banana não são utilizadas de forma pouco segura por crianças ou outras pessoas desinformadas. Os pinos de plástico podem ser removidos se pretender usar fichas banana.

Peça aconselhamento ao seu fornecedor sobre a escolha de cabos para as colunas. Mantenha a impedância total abaixo do valor máximo recomendado nas especificações das colunas e utilize um cabo de indutância baixa para evitar a atenuação de frequências altas.

Existem dois pares de terminais ligados na parte de trás da coluna. Para uma ligação convencional (ver acima, à esquerda), mantenha os terminais na posição de origem (conforme fornecidos), deixando apenas um par de terminais ligado ao amplificador. Para ligações de cablagem dupla ou amplificação dupla (ver acima, à direita), as ligações dos terminais devem ser removidas e cada um dos pares de terminais deve ser ligado ao amplificador de forma independente. A cablagem dupla pode melhorar a resolução dos detalhes de níveis mais baixos.

Certifique-se de que os terminais positivos da coluna (com um anel vermelho) estão ligados ao terminal de saída positivo do amplificador e de que os terminais negativos da coluna (com um anel preto) estão sempre ligados ao terminal de saída negativo do amplificador. Uma ligação incorreta não provoca danos, mas pode resultar numa imagem estéreo fraca e na perda de sons graves. Aperte sempre as capas dos terminais ao máximo para evitar ruídos.

4. Ajustes



Antes de proceder aos ajustes, certifique-se de que todas as ligações na instalação estão corretas e seguras.

Geralmente, o maior afastamento das colunas em relação às paredes reduz o volume dos sons graves. A existência de espaço atrás das colunas também ajuda a criar uma sensação de profundidade do som. Por seu lado, a maior aproximação das colunas em relação às paredes aumenta o volume dos sons graves. Se pretender reduzir o volume dos sons graves sem ter de afastar as colunas da parede, aplique os cilindros de espuma ou, para uma redução mais atenuada dos graves, os anéis de espuma nos tubos das portas (ver acima).

Se os sons graves parecerem estar desajustados em relação à frequência, é muito provável que isso se deva aos modos de ressonância na divisão de audição. Mesmo pequenas alterações na posição das colunas ou na posição de audição podem ter um efeito profundo na forma como essas ressonâncias afetam o som. Experimente alterar a posição de audição ou colocar as colunas ao longo de uma parede diferente. A presença e o posicionamento de móveis de grandes dimensões também podem influenciar os modos de ressonância.

Se não existirem alternativas, pode ajustar o desempenho de baixa frequência das colunas utilizando os cilindros de espuma fornecidos. Os cilindros são compostos por duas peças, o que permite um determinado nível de ajuste utilizando a peça exterior, de maior diâmetro, isoladamente ou em combinação com a outra peça. Utilizar apenas o cilindro de espuma exterior, de maior diâmetro, irá proporcionar uma menor atenuação dos sons graves do que o conjunto completo de cilindros.

Se a imagem central estiver desfocada, experimente aproximar as colunas ou colocá-las em ângulo para dentro, de forma a que apontem para uma localização imediatamente à frente da posição de audição. Se o som for demasiado intenso, aumentar a quantidade de tecidos de decoração na divisão (por exemplo, cortinas mais densas) poderá ajudar a equilibrar o som. Inversamente, reduzir a quantidade de tecidos de decoração poderá ajudar a intensificar um som abafado.

Para uma audição mais clara, remova as grelhas segurando-as pelas extremidades e puxando-as cuidadosamente para fora da caixa.

5. Utilização inicial

O desempenho das colunas terá variações subtis durante a primeira fase de audição. Se a coluna tiver sido armazenada num ambiente frio, os materiais de amortecimento e de suspensão dos diafragmas levarão algum tempo até recuperarem as suas propriedades mecânicas corretas. As suspensões dos diafragmas também ganharão mais flexibilidade após as primeiras horas de utilização. O tempo requerido para que as colunas atinjam o desempenho pretendido varia consoante as condições de armazenamento prévio e a forma de utilização das mesmas. Por norma, deverá esperar até uma semana para que os efeitos da temperatura estabilizem e cerca de 15 horas de utilização média para que as peças mecânicas funcionem de acordo com as características previstas.

6. Manutenção

Geralmente, basta limpar o pó das superfícies da caixa. Recomendamos que utilize um pano de microfibras macio. Se utilizar um aerossol ou outro produto de limpeza, aplique-o no pano, não diretamente no equipamento, e teste primeiro numa área mais reduzida, já que alguns produtos de limpeza poderão danificar algumas superfícies. Evite utilizar produtos abrasivos ou que contenham agentes ácidos, alcalinos ou antibacterianos. Não utilize produtos de limpeza nos diafragmas. Evite tocar nos diafragmas, para evitar danos.

1. Disimballaggio

	Griglia	Inserti in spugna	Piedino di gomma (auto-adesivo)	Piedino in gomma (avvitabile)	Piedino a punta	Base	Chiave esagonale	Vite 45 mm	Rondella	Rondella antivibrante
603 S3	1	1		4	4	1	1	4	4	4
606 S3 607 S3	2	2	8							
HTM6 S3	1	1	4							

Contenuto delle confezioni

La tabella sopra illustra le parti dei componenti presenti nella confezione del prodotto. Nel caso improbabile che manchi qualcosa, contattare il rivenditore presso il quale si sono acquistati gli altoparlanti.

Informazioni per l'ambiente

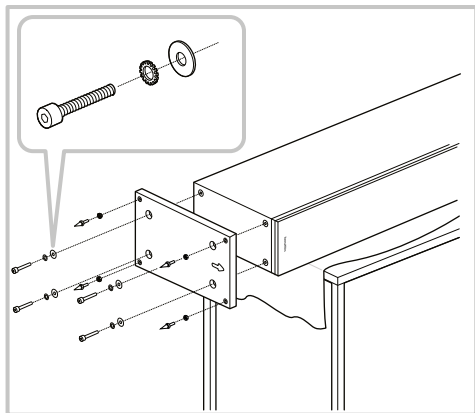
Questo prodotto è realizzato in conformità (e non limitatamente) alle seguenti normative internazionali:

- I. la limitazione delle sostanze pericolose (RoHS) negli apparecchi elettrici ed elettronici,
- II. la registrazione, valutazione, autorizzazione e restrizione delle sostanze chimiche (REACH),
- III lo smaltimento delle apparecchiature elettriche ed elettroniche (WEEE).

Fare riferimento alle indicazioni dell'autorità del vostro Paese per il corretto riciclo o smaltimento del prodotto.

2. Posizionamento

603 S3



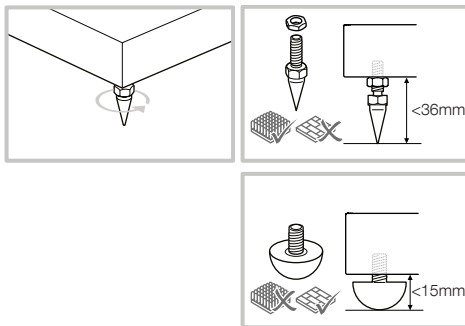
Installazione 603 S3

L'altoparlante 603 S3 deve essere installato solo a pavimento. Per una stabilità ottimale, installare sempre la base in dotazione, quindi assicurarsi che l'altoparlante siano ben fisso sul pavimento utilizzando i piedini a punta o quelli di gomma in dotazione.

È possibile montare la base durante il processo di disimballaggio, seguendo le illustrazioni di cui sopra o i diagrammi sulla parte superiore della scatola di cartone.

Attenzione

La base DEVE essere sempre utilizzata con i piedini a punta o di gomma inseriti nella base stessa. NON inserire i piedini a punta o di gomma direttamente nel cabinet.

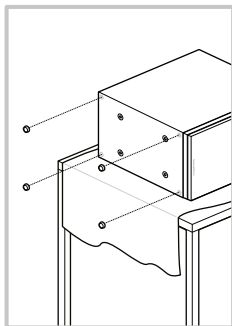


Importante avviso di sicurezza

Piedini a punta affilati, non toccare.

I piedini a punta sono progettati appositamente per penetrare attraverso un eventuale tappeto in modo da poggiare direttamente sul pavimento sottostante. Inizialmente, avvitare i controdati sui piedini a punta a circa un centimetro di distanza dal tappeto con i piedini a punta che poggiano sul pavimento sottostante. Avvitare completamente i piedini negli inserti filettati della base. Se il diffusore non è perfettamente stabile, svitare i due piedini che non toccano il pavimento fino a stabilizzarlo su tutte e quattro le punte. Bloccare infine i dadi contro la base e serrare delicatamente il dado per bloccare i piedini a punta ed evitare che ruotino durante l'operazione. Si consiglia di regolare l'altezza dei piedini e stringere i dadi dopo avere trovato la collocazione ottimale del diffusore.

Se nel locale non sono presenti tappeti e si desidera evitare graffi al pavimento, è possibile mettere un dischetto metallico protettivo (ad esempio una piccola moneta) sotto ciascuna punta, oppure montare i piedini in gomma in dotazione. Installare i piedini in gomma e livellare il diffusore seguendo la stessa procedura indicata per quelli a punta.



606 S3 / 607 S3

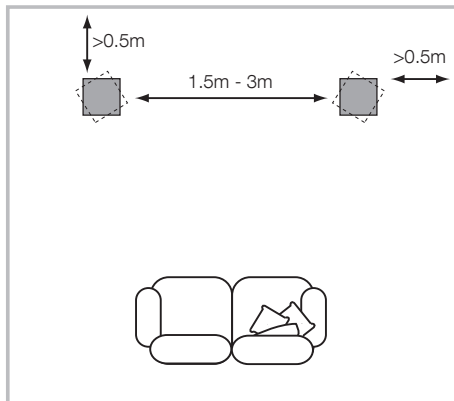
Gli altoparlanti 606 S3 e 607 S3 sono stati primariamente progettati per l'installazione su uno stand da pavimento dedicato (FS-600 S3), ma può essere posizionato su uno scaffale, se lo si preferisce. Tuttavia, va notato che questa soluzione offre una minore flessibilità in termini di ottimizzazione delle prestazioni del diffusore. Se si usa il posizionamento a scaffale, raccomandiamo di installare gli inserti in spugna (in dotazione) per ottimizzare le prestazioni (vedere la Sezione 4: regolazione fine).

In ogni caso è opportuno che il tweeter si trovi approssimativamente in linea con l'orecchio dell'ascoltatore.

Nota: se si usa il posizionamento a scaffale, assicurarsi che sia in grado di supportare il peso del diffusore e montare i quattro piedini in gomma auto-adesivi sulla base del diffusore.

HTM6 S3

Se si utilizza un TV a retro-proiezione con uno schermo acusticamente trasparente, posizionare l'altoparlante dietro la parte centrale dello schermo. In caso contrario, posizionarlo direttamente al di sotto o al di sopra dello schermo su uno stand da pavimento, un mobile o uno scaffale a parete, assicurandosi che l'altoparlante sia all'altezza delle orecchie, per quanto possibile. Se il diffusore viene posizionato su uno scaffale o rack



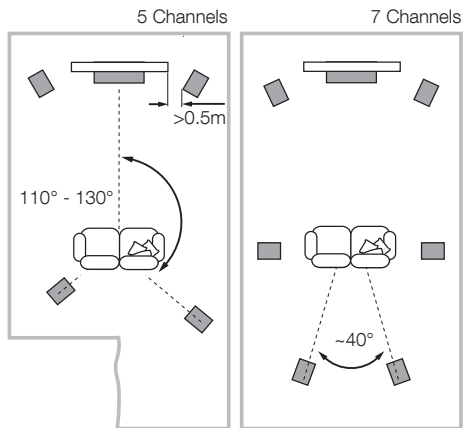
con altre apparecchiature AV, applicare i quattro piedini in gomma auto-adesivi alla base del diffusore. Questi piedini offrono un discreto isolamento dalle vibrazioni.

Posizionamento

Sia in impianti stereo che home theatre, cercare di assicurarsi che l'ambiente nelle immediate vicinanze di ciascun diffusore presenti caratteristiche acustiche il più possibile uguali. Ad esempio, se un diffusore si trova in prossimità di una parete spoglia mentre l'altro si trova vicino ad una tenda, un mobile o un divano, tanto la qualità sonora nel suo insieme, quanto l'immagine stereofonica rischiano di venir compromesse.

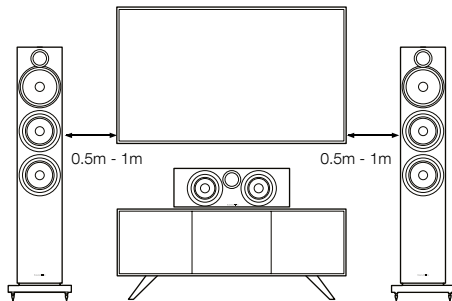
Sistemi stereo convenzionali

Inizialmente i diffusori dovrebbero venir collocati ad una distanza tra loro compresa tra 1,5 e 3 m ed agli angoli di un triangolo equilatero il cui vertice inferiore è rappresentato dal punto d'ascolto. I diffusori devono essere collocati alla distanza di almeno mezzo metro dalla parete posteriore e dalle eventuali pareti laterali (vedere figura qui sopra).



Sistemi Home Theatre

Se i diffusori vengono utilizzati come canali frontali in un sistema home theatre, essi dovrebbero essere posizionati più vicini tra loro rispetto ad un sistema stereo, in quanto i canali surround tendono ad allargare l'immagine sonora. Una collocazione a circa 0,5 m dai bordi dello schermo video aiuta a mantenere l'immagine sonora in scala con le proporzioni di quanto osservato visivamente. Come negli impianti stereo, anche in questo caso i diffusori dovrebbero trovarsi idealmente ad almeno 0,5 m sia dalla parte di fondo, sia da quella laterale.

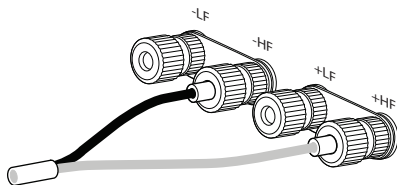


Campi magnetici dispersi

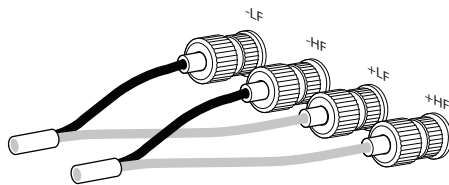
Gli altoparlanti dei diffusori creano dei campi magnetici che estendono la loro azione oltre i confini fisici dei mobili. Si consiglia pertanto di mantenere ad almeno 0,5 m di distanza ogni oggetto sensibile ai campi magnetici (televisori a tubo catodico, nastri audio e video, carte di credito e simili). Schermi al plasma, LCD o OLED, al contrario, non risentono dei campi magnetici.

3. Collegamenti

Collegamento convenzionale



Collegamento bi-wiring

**Importante avvertenza di sicurezza**

Tutti i collegamenti devono essere eseguiti con l'apparecchiatura audio spenta. Quando si utilizzano apparecchiature audio durante il normale funzionamento, toccare i terminali dei diffusori non isolati o il cablaggio può causare una sensazione spiacevole. I morsetti dei diffusori 600 S3 accettano cavi con svariate terminazioni: spinotti a banana da 4 mm, forcelle da 6 mm e 8 mm oppure cavi spellati fino a 4 mm di diametro.

**Importante avvertenza di sicurezza**

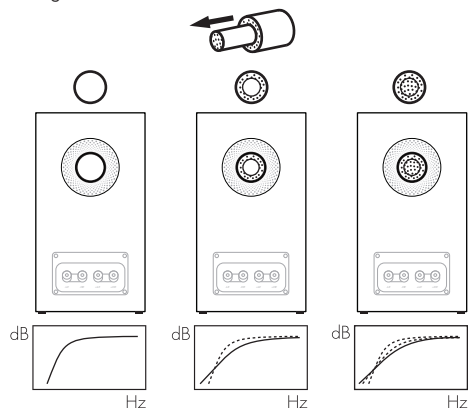
In alcuni Paesi, in particolare in Europa, l'uso di spinotti a banana da 4 mm viene considerato potenzialmente pericoloso, perché potrebbero essere inseriti nei fori di prese elettriche non protette. Per soddisfare le normative di sicurezza europee CENELEC, i fori da 4 mm sui morsetti sono ostruiti da elementi in plastica. Se si utilizzano i diffusori in un Paese dove è in vigore tale normativa, assicurarsi che nessun spinotto a banana venga utilizzato in modo improprio da bambini o persone non informate del potenziale pericolo. Volendo utilizzare dei connettori a banana, è possibile togliere i connettori in plastica.

Chiedere consiglio al vostro rivenditore per scegliere un cavo per altoparlanti adatto. Mantenere la sua impedenza totale sotto al valore massimo indicato nelle specifiche tecniche del diffusore ed utilizzare un cavo a bassa induttanza per evitare attenuazioni alle alte frequenze.

Sul retro di ciascun diffusore vi sono due coppie di morsetti collegate tra loro tramite ponticelli metallici. Per connessioni tramite un unico cavo, lasciare i ponticelli in posizione (vedi figura in alto a sinistra) e collegare solo una coppia di morsetti alle uscite dell'amplificatore. Per collegamenti in bi-wiring tramite due cavi (vedi figura in alto a destra), è necessario rimuovere i ponticelli e collegare ciascuna coppia di morsetti indipendentemente all'amplificatore con uno dei due cavi. Con questo tipo di connessione viene di solito migliorata l'immagine e la risoluzione dei dettagli.

Assicurarsi che i terminali positivi del diffusore (con l'anello rosso) siano collegati al terminale di uscita positivo dell'amplificatore, ed i terminali negativi (con l'anello nero) a quello negativo. Un collegamento errato non crea danni, ma darà origine ad una scadente immagine sonora e ad un'insufficiente gamma bassa. Avvitare bene i tappi terminali per evitare vibrazioni indesiderate.

4. Regolazione fine



Prima procedere con la regolazione fine, assicurarsi che tutti i collegamenti dell'impianto siano corretti e stabili.

Allontanando i diffusori dalle pareti generalmente si riduce il livello dei bassi. Un maggior spazio dietro ad essi incrementa poi la sensazione di profondità della scena acustica. Al contrario avvicinando i diffusori alle pareti la gamma bassa viene rinforzata. Se si desidera ridurre i bassi senza allontanare ulteriormente i diffusori dalle pareti, inserire nei condotti d'accordo sul retro gli inserti in spugna completi o, per un effetto meno marcato, i soli anelli esterni (vedi figura in alto).

Se il basso appare irregolare, ciò è generalmente dovuto alle caratteristiche acustiche dell'ambiente. Anche piccoli cambiamenti nella posizione dei diffusori o del punto d'ascolto possono essere determinanti, in special modo alle basse frequenze. Provare, se possibile, a cambiare la posizione d'ascolto oppure a collocare i diffusori a ridosso di una parete diversa. La presenza e il posizionamento di mobili di grandi dimensioni possono anche influenzare le modalità di risonanza.

In assenza di alternative, è possibile regolare le prestazioni alle basse frequenze del diffusore usando gli inserti in spugna in dotazione. Gli inserti consistono di due parti, le quali consentono di "sintonizzare" al meglio il suono usando il pezzo esterno di maggiore diametro da solo oppure entrambe le parti. Se si usa solo la parte esterna più grande, l'attenuazione dei bassi sarà inferiore rispetto all'uso combinato dei due pezzi.

Se l'immagine sonora non risulta correttamente focalizzata al centro, provare a posizionare i diffusori più vicini tra loro oppure ad angolare il loro frontale in modo che puntino verso una zona leggermente più avanti rispetto alla posizione d'ascolto. Se il suono fosse troppo aspro, un aumento della quantità di tessuti nel locale (ad esempio utilizzando tendaggi più pesanti) può essere d'aiuto per compensare lo squilibrio. Al contrario, riducendoli, si può contribuire a ravvivare un suono altrimenti spento ed opaco.

Per un ascolto nelle migliori condizioni, rimuovere le griglie a protezione di midrange e woofer afferrandole ai bordi e tirandole delicatamente verso di voi.

5. Rodaggio

Le prestazioni dei diffusori possono variare leggermente durante il periodo iniziale di ascolto. Se sono stati conservati in un ambiente freddo, i materiali smorzanti e le sospensioni degli altoparlanti necessiteranno di un certo intervallo di tempo per recuperare le loro proprietà meccaniche. Anche le sospensioni esterne tenderanno ad allentarsi durante le prime ore di utilizzo. Il tempo necessario al diffusore per arrivare alle prestazioni ottimali varia in base alle condizioni del precedente immagazzinaggio e da come viene utilizzato. Indicativamente può trascorrere fino ad una settimana perché gli effetti della temperatura si stabilizzino e 15 ore di utilizzo medio affinché le parti meccaniche raggiungano le caratteristiche ottimali definite in fase di progetto.

6. Manutenzione

I mobili dei diffusori normalmente necessitano solo di essere spolverati. Raccomandiamo di utilizzare un panno in microfibra soffice. Se si preferisce utilizzare un prodotto spray per la pulizia, applicarlo sul panno, non direttamente sul mobile. Consigliamo altresì di provare prima a pulire una piccola area non in vista, dal momento che alcuni detergenti troppo aggressivi potrebbero danneggiare la finitura del diffusore. Non impiegare prodotti abrasivi o contenenti acidi, alcali oppure agenti anti-batterici. Non utilizzare alcun prodotto per la pulizia sugli altoparlanti ed evitare anche di toccarli, poiché potrebbero venir danneggiati.

1. Uitpakken

	Grill	Schuimrubberen dop	Rubberen voet (zelfklevend)	Rubberen voet (schroefbevestiging)	Spike	Plint	Inbus-sleutel	Schroef 45 mm	Vlakke ring	Schudbestendige ring
603 S3	1	1		4	4	1	1	4	4	4
606 S3 607 S3	2	2	8							
HTM6 S3	1	1	4							

Inhoud doos

De bovenstaande tabel illustreert de onderdelen die met het product worden geleverd. In het onwaarschijnlijke geval dat er iets ontbreekt, kunt u contact opnemen met de winkel waar u de luidsprekers hebt gekocht.

Informatie over het Milieu

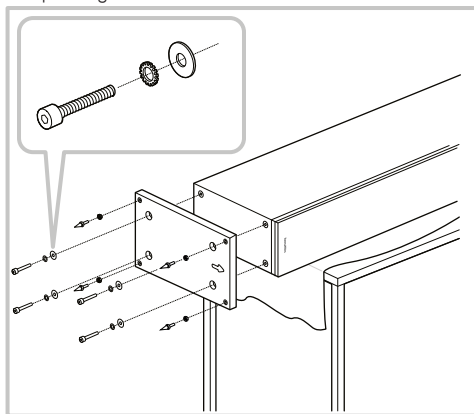
Dit product voldoet aan de internationale richtlijnen waaronder, maar daartoe niet beperkt:

- i. de **R**estriction of **H**azardous **S**ubstances (RoHS) voor elektrische en elektronische apparatuur;
- ii. de **R**egistration, **E**valuation, **A**uthorisation and restriction of **C**hemicals (REACH);
- iii. de afvoer van **W**aste **E**lectrical and **E**lectronic **E**quipment (WEEE).

Raadpleeg de plaatselijke milieudienst voor informatie over het verantwoord afvoeren van overtollige of afgedankte apparatuur.

2. Opstelling

603 S3



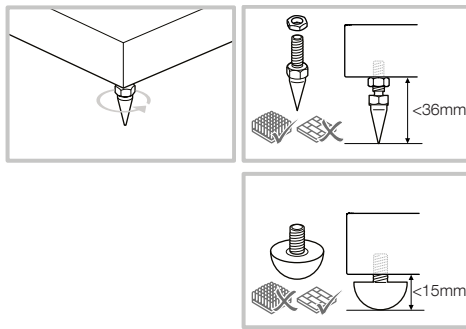
Luidspreker Installeren 603 S3

De 603 S3 mag alleen op de vloer worden gemonteerd. Voor goede stabiliteit moeten de luidsprekers altijd met de meegeleverde plint worden geïnstalleerd. Gebruik vervolgens de meegeleverde spikes of rubberen voeten om ervoor te zorgen dat de luidsprekers stevig op de vloer staan.

U kunt de plint tijdens het uitpakken bevestigen; volg hiervoor de bovenstaande illustraties of de diagrammen op de flappen van de doos.

Waarschuwing

De plint **MOET** altijd worden gebruikt, met de rubberen voeten of de spikes in de plint gestoken. De rubberen voeten of de spikes **NOOIT** rechtstreeks in de kast steken.

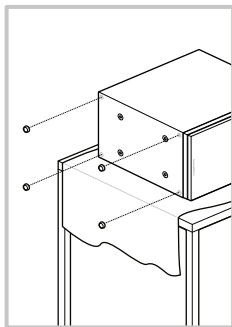


Belangrijke veiligheidsmededeling

Scherpe spikes, niet aanraken.

Spikes zijn bedoeld om door het tapijt heen te prikken, zodat de luidspreker op de vloer eronder staat. Schroef de borgmoeren in eerste instantie zo ver op de spikes, dat de moeren net boven het tapijt zweven wanneer de spikes op de vloer daaronder rusten. Schroef de spikes helemaal in de openingen met schroefdraad van de plint. Wanneer de luidspreker niet stabiel staat en wiebelt, schroef dan de beide spikes die de vloer niet raken wat verder naar buiten tot de kast niet meer wiebelt. Vergrendel tenslotte de moeren aan de onderkant door de moer met de meegeleverde steeksleutel voorzichtig aan te draaien terwijl u de bijgeleverde draaijen gebruikt om te voorkomen dat de spikevoet draait. Het is verstandig de spikes vast te zetten nadat de optimale luidsprekeropstelling is gevonden.

Bij andere vloeren dan tapijt kunt u krassen op de vloer voorkomen door ter bescherming een metalen schijf – een muntstuk bijvoorbeeld – tussen de spikes en de vloer te gebruiken; ook kunt u de rubber voetjes gebruiken. Breng de rubber voetjes op dezelfde wijze aan als de spikes en stel ze op dezelfde manier af.



606 S3 / 607 S3

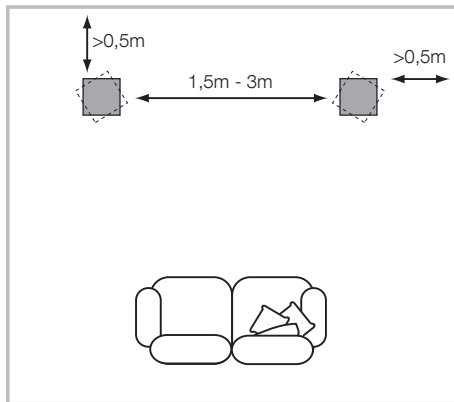
De 606 S3 en 607 S3 zijn hoofdzakelijk bedoeld voor montage op een speciale vloerstandaard (FS-600 S3), maar kunnen zo nodig op een plank worden geplaatst. Houd er echter rekening mee dat dit minder flexibiliteit voor optimalisatie van de prestaties van de luidspreker biedt. Als de luidspreker op een plank moet worden geplaatst, raden we u aan de schuimrubberen doppen te gebruiken (meegeleverd) om de poortprestaties te optimaliseren (zie hoofdstuk 4: Fijnafstemming).

Bij beide installatieopties moeten de tweeters van de luidsprekers zich ongeveer op oorhoogte bevinden als u zich in uw normale luisterpositie bevindt.

NB: Als u een plank gebruikt, zorg er dan voor dat die sterk genoeg is om het gewicht zonder problemen te dragen en bevestig de vier zelfklevende rubberen voeten aan de onderkant van de luidspreker.

HTM6 S3

Bij gebruik van een projectietelevisie met een akoestisch transparant scherm plaatst u de luidsprekers achter het midden van het scherm. Anders plaatst u de luidspreker ofwel direct onder of boven het scherm met gebruik van ofwel een vloerstandaard, wandmeubel of muurplank en zorgt u dat



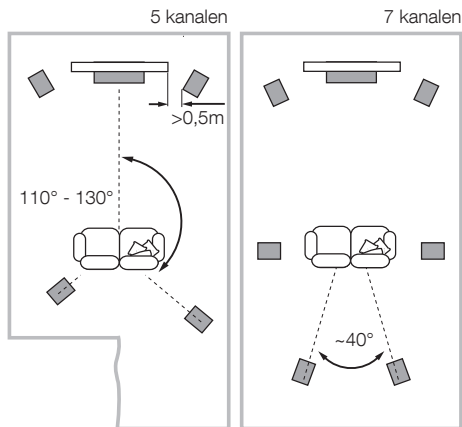
de luidspreker zo dicht mogelijk op oorhoogte staat. Als de luidspreker moet worden geplaatst op een plank of in een rek waar ook andere AV-apparatuur staat, bevestigt u de vier rubberen zelfklevende voeten aan de onderkant van de luidspreker. Deze bieden een zekere mate van bescherming tegen trillingen.

Luidsprekeropstelling

Zowel bij stereo- als bij home theater systemen is het verstandig te streven naar een identieke directe akoestische omgeving voor alle luidsprekers. Wanneer bijvoorbeeld één luidspreker dichtbij een kale wand is geplaatst en de andere in de nabijheid van zachte meubilering of gordijnen, dan zullen zowel de algehele geluidskwaliteit als het stereobeeld daar onder lijden.

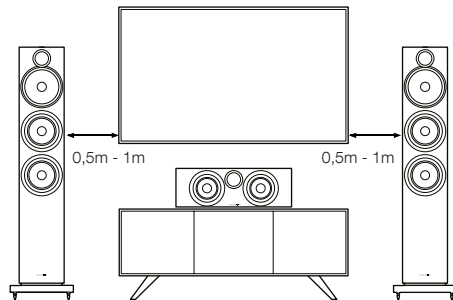
Conventionele Stereosystemen

Als uitgangspunt worden de luidsprekers 1,5 tot 3 meter uit elkaar geplaatst, zodanig dat zij zich beide even ver van het luistergebied bevinden. De luidsprekers moeten ten minste 0,5 m van de achterkant en eventuele zijwanden worden geplaatst (zoals op de bovenstaande afbeelding is te zien).



Home Theater Systemen

Wanneer de luidsprekers worden gebruikt voor de front kanalen in een home theater systeem, dienen ze iets dichterbij elkaar te staan dan bij tweekanaals stereo omdat de surround kanalen het klankbeeld verbreden. Opstelling van de luidsprekers op 0,5 m ter weerszijden van het beeldscherm houdt het klankbeeld in de juiste verhouding met de grootte van het beeldscherm. Net als bij conventionele stereo-opstelling dienen de luidsprekers liefst ca. 0,5 m van de achterwand te blijven en eveneens 0,5 m van de zijwanden.

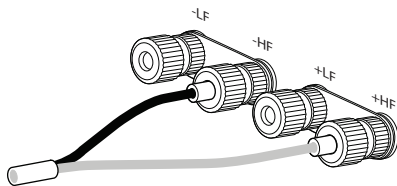


Magnetisch Strooiveld

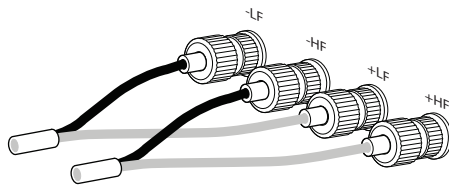
De luidsprekereenheden veroorzaken een magnetisch strooiveld dat ook buiten de kast merkbaar is. Wij raden u aan magnetisch gevoelige zaken (beeldbuizen, computerdiscs, audio- en videobanden, creditcards, enz.) minimaal op een afstand van 0,5 m van de luidspreker te houden. LCD- en plasmaschermen zijn niet gevoelig voor het magnetisch veld. LCD, OLED en plasma beeldschermen hebben geen last van magnetische velden.

3. Verbindingen

Conventionele aansluiting



Dubbeldraadse aansluiting



Belangrijke veiligheidsmededeling

Alle verbindingen moeten worden gemaakt met de audioapparatuur uitgeschakeld. Bij normaal gebruik van audioapparatuur kan het aanraken van niet-geïsoleerde luidsprekeraansluitingen of bedrading een onaangenaam gevoel veroorzaken. De luidsprekeraansluitingen van de 600 S3 accepteren verschillende soorten kabels en pluggen: 4 mm banaanstekkers, 6 mm en 8 mm (1/4" en 15/16") spades, of blanke draadeinden van max. 4 mm (5/32").



Belangrijk voor uw veiligheid

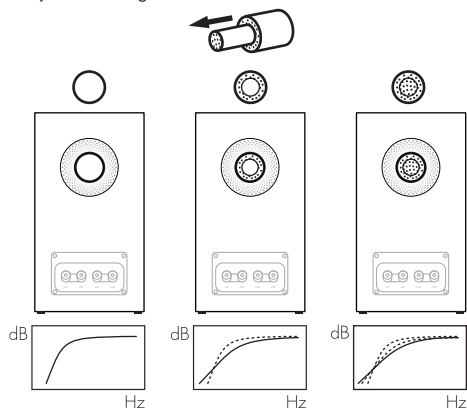
In bepaalde landen, vooral Europa, wordt het gebruik van 4 mm banaanstekkers beschouwd als potentieel gevaarlijk omdat deze ook in onbeschermde stopcontacten kunnen worden gestoken. Om te voldoen aan de Europese CENELEC veiligheidsregels zijn de openingen op de aansluitingen geblokkeerd met plastic pennen. Wanneer u het product gebruikt in een land waar deze regels gelden, dient u zich ervan te overtuigen dat banaanstekkers niet op onveilige manier kunnen worden gebruikt door kinderen en andere niet geïnformeerde personen. De plastic pinnen kunnen worden verwijderd als u bananestekkers wilt gebruiken.

Vraag uw leverancier om informatie over kabels. Houd de totale impedantie beneden het maximum als aanbevolen in de technische gegevens en gebruik kabel met een lage inductie om verzwakking van hoge frequenties te voorkomen.

Er bevinden zich twee paar gekoppelde aansluitklemmen achterop de luidspreker. Voor een conventionele aansluiting (linksboven) moeten de koppelingen tussen de aansluitklemmen op hun plaats blijven zitten (zoals bij aflevering het geval is) en sluit u maar één paar aansluitklemmen op de versterker aan. Voor dubbel bedrade aansluitingen of dubbele versterking (rechtsboven) moeten de koppelingen tussen de aansluitklemmen verwijderd worden en moet elk paar aansluitklemmen apart aan de versterker(s) worden aangesloten. Dubbele bedrading kan de resolutie bij een lage detaillering verbeteren.

Zorg ervoor dat de positieve aansluitingen van de luidspreker (met rode ring) met de positieve uitgang van de versterker worden verbonden en de negatieve aansluitingen van de luidspreker (met zwarte ring) met de negatieve uitgang van de versterker worden verbonden. Foutieve aansluiting geeft een minder goed ruimtebeeld en verlies aan bas. Schroef de doppen altijd helemaal over de aansluitingen om bijgeluiden te voorkomen.

4. Fijnafstemming



Controleer voordat u aan het fijnafstemmen begint, of alle verbindingen correct en stevig zijn geïnstalleerd.

Door de luidsprekers verder van de wand te plaatsen zal in het algemeen het laag afnemen. De ruimte achter de luidsprekers verhoogt ook de ruimtelijke indruk op het gehoor. Omgekeerd, door de luidsprekers dicht bij de wand op te stellen, neemt het laag juist toe. Wanneer u het laag wilt reduceren zonder de luidsprekers verder van de wand te plaatsen, drukt u de schuimrubber doppen in de poorten als aangegeven in afbeelding hierboven.

Als de lage tonen lijken af te wijken van de frequentie, is dit waarschijnlijk het gevolg van de akoestiek in het vertrek. De kleinste veranderingen in de positie van de luidsprekers of de luisterpositie kunnen al een aanzienlijk effect hebben op de geluidsprestaties, met name bij lage frequenties. Probeer zo mogelijk uw luisterpositie te veranderen of uw luidsprekers voor een andere wand te plaatsen. Ook de aanwezigheid en positie van grote meubelstukken kan van invloed zijn op de akoestiek.

Als er geen alternatief is, kunt u de luidsprekerprestaties op lage frequentie aanpassen met gebruik van de meegeleverde schuimrubberen doppen. Deze doppen zijn tweedelige onderdelen die een zekere mate van fijnafstelling mogelijk maken met gebruik van ofwel alleen het buitenste schuimrubberen stuk, dat een grotere diameter heeft, of met de twee stukken samen. Als u alleen het buitenste schuimrubberen stuk met de grotere diameter gebruikt, is er minder demping van lage tonen dan wanneer u de hele dop gebruikt.

Wanneer het centrale geluidsbeeld vaag is, probeer dan de luidsprekers dicht bij elkaar te zetten en ze te richten op een punt juist vóór de luisterpositie. Is het geluid te helder, dan kan het aanbrengen van zachtere stoffering in de kamer (zwaardere gordijnen bijvoorbeeld) een betere balans bewerkstelligen. Omgekeerd kan het reduceren van zachte stoffering een donkere klank helderder maken.

De meest kritische luisteraars raden we aan de grills van de woofer/middentoner te verwijderen door ze bij de rand vast te pakken en de voorzichtig van de kast te trekken.

5. Inspelen

De eigenschappen van de luidspreker zullen gedurende de eerste luisterperiode op subtiële wijze iets veranderen. Wanneer de luidspreker in een koude omgeving opgeslagen is geweest, zijn de dempende materialen en de ophanging wat stug en het duurt enige tijd voordat zij de juiste mechanische eigenschappen terug hebben. Ook zal de ophanging in de eerste uren van het gebruik nog wat soepeler worden. De tijd die de luidspreker nodig heeft om de beoogde eigenschappen te bereiken, wordt bepaald door de wijze waarop hij voorheen is opgeslagen en de manier waarop hij wordt gebruikt. Houd als richtlijn een week aan om een stabiele temperatuur te bereiken en ca. 15 uur gebruik om de mechanische onderdelen de beoogde eigenschappen te laten verkrijgen.

6. Onderhoud

De kast hoeft over het algemeen alleen maar te worden afgestoft. Wij raden u aan een zachte microfvezeldoek te gebruiken. Wil u een schoonmaakspray of een ander middel gebruiken, verwijder dan eerst de grill door deze voorzichtig van de kast te trekken. Spuit op een zachte doek en nooit direct op de kast. Probeer eerst op een onzichtbare plek, daar sommige reinigingsmiddelen het oppervlak kunnen beschadigen. Vermijd schuurmiddelen of middelen die gif bevatten, alkali en antibacterie stoffen. Gebruik nooit schoonmaakmiddelen op de eenheden. Vermijd aanraking van de eenheden, vooral de tweeter, die zeer gemakkelijk beschadigd kan raken.

1. Αποσυσκευασία

	Γρίλια	Παρέμβυσμα αφρού	Πόδι από καουτσούκ (αυτοκόλλητο)	Πόδι από καουτσούκ (βιδωτό)	Πόδι-ακίδα	Βάση	Κλειδί άλεν	Βίδα 45 mm	Απλή ροδέλα	Οδοντωτή ροδέλα
603 S3	1	1		4	4	1	1	4	4	4
606 S3 607 S3	2	2	8							
HTM6 S3	1	1	4							

Περιεχόμενα συσκευασίας

Ο παραπάνω πίνακας απεικονίζει τα εξαρτήματα που περιλαμβάνονται στη συσκευασία του προϊόντος. Στην απίθανη περίπτωση που λείπει κάτι, επικοινωνήστε με το κατάστημα από το οποίο αγοράσατε τα ηχεία.

Πληροφορίες σχετικά με το περιβάλλον

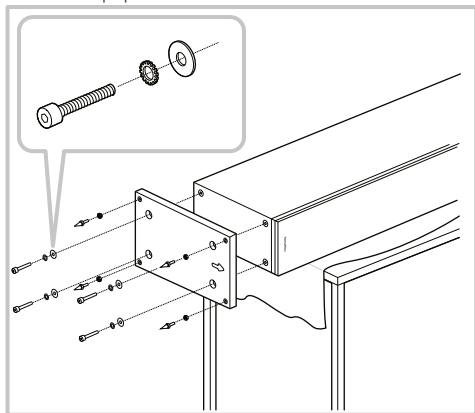
Αυτό το προϊόν πληροί τις διεθνείς οδηγίες, στις οποίες συγκαταλέγονται, χωρίς περιορισμούς, οι εξής:

- i. η οδηγία **R**estriction of **H**azardous **S**ubstances (RoHS – Περιορισμός στη χρήση επικίνδυνων ουσιών) για ηλεκτρικό και ηλεκτρονικό εξοπλισμό,
- ii. η οδηγία **R**egistration, **E**valuation, **A**uthorisation and restriction of **C**hemicals (REACH – Καταχώριση, αξιολόγηση, αδειοδότηση και περιορισμοί των χημικών προϊόντων),
- iii. η οδηγία σχετικά με την απόρριψη **W**aste **E**lectrical and **E**lectronic **E**quipment (WEEE – Απόβλητα ηλεκτρικού και ηλεκτρονικού εξοπλισμού).

Συμβουλευτείτε την τοπική αρχή διάθεσης αποβλήτων για οδηγίες σχετικά με τους τρόπους σωστής ανακύκλωσης ή απόρριψης του προϊόντος αυτού.

2. Τοποθέτηση

603 S3

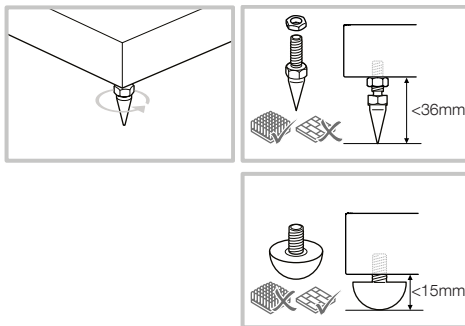
**Εγκατάσταση ηχείου****603 S3**

Το 603 S3 προορίζεται μόνο για τοποθέτηση στο δάπεδο. Για σωστή σταθερότητα, πάντα να εγκαθιστάτε την παρεχόμενη βάση και, στη συνέχεια, να διασφαλίσετε ότι τα ηχεία στηρίζονται σταθερά στο δάπεδο χρησιμοποιώντας τα παρεχόμενα πόδια-ακίδες ή πόδια από καουτσούκ.

Μπορείτε να προσαρτήσετε τη βάση κατά τη διάρκεια της αποσυσκευασίας, ακολουθώντας τις εικόνες παραπάνω ή τα διαγράμματα στο επάνω πτερύγιο του κουτιού της συσκευασίας.

Προειδοποίηση

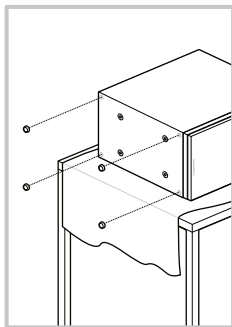
Η βάση πρέπει να χρησιμοποιείται ΠΑΝΤΑ, με τα πόδια από καουτσούκ ή τα πόδια-ακίδες τοποθετημένα μέσα στη βάση. ΜΗΝ τοποθετείτε τα πόδια από καουτσούκ ή τα πόδια-ακίδες απευθείας μέσα στο περιβλήμα.

**Σημαντική ειδοποίηση για την ασφάλεια**

Αχμηρές ακίδες, μην αγγίζετε.

Τα πόδια-ακίδες έχουν σχεδιαστεί ώστε να τρυπούν το χαλί και να ακουμπούν στην επιφάνεια του δαπέδου. Αρχικά, βιδώστε τα παξιμάδια ασφαλίσης στις ακίδες μόνο τόσο όσο χρειάζεται ώστε τα παξιμάδια να βρίσκονται μόλις πάνω από την επιφάνεια του χαλιού όταν οι ακίδες ακουμπούν στο δάπεδο κάτω από το χαλί. Στη συνέχεια, βιδώστε εντελώς τις ακίδες στις υποδοχές με σπείρωμα της βάσης. Αν το περίβλημα είναι ασταθές όταν τοποθετηθεί στο δάπεδο, ξεβιδώστε τις δύο ακίδες που δεν αγγίζουν το δάπεδο μέχρι το περίβλημα να ακουμπήσει σταθερά χωρίς να κουνιέται. Τέλος, ασφαλίστε τα παξιμάδια στη βάση χρησιμοποιώντας το παρεχόμενο κλειδί για να σφίξετε απαλά τα παξιμάδια, ενώ χρησιμοποιείτε την παρεχόμενη ράβδο-μοχλό για να αποτρέψετε την περιστροφή των ποδιών-ακίδων. Ενδέχεται να είναι πιο εύκολη η τοποθέτηση και η ρύθμιση των ποδιών-ακίδων αφού βελτιστοποιηθεί η θέση του ηχείου.

Αν δεν υπάρχει χαλί και θέλετε να αποφύγετε τις γρατσουνιές στην επιφάνεια του δαπέδου, είτε χρησιμοποιήστε έναν προστατευτικό μεταλλικό δίσκο (ίσως ένα κέρμα) ανάμεσα στην ακίδα και το δάπεδο είτε χρησιμοποιήστε τα παρεχόμενα πόδια από καουτσούκ. Τοποθετήστε τα πόδια από καουτσούκ και οριζοντιώστε το περίβλημα με τον ίδιο τρόπο που κάνατε με τα πόδια-ακίδες.



606 S3 / 607 S3

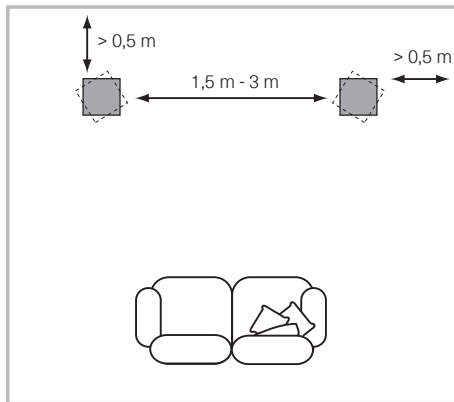
Τα 603 S3 και 607 S3 έχουν σχεδιαστεί πρωτίστως για να τοποθετούνται σε μια ειδική επιδιαπέδια βάση (FS-600 S3), αλλά μπορούν να τοποθετηθούν σε ράφι, αν το προτιμάτε. Ωστόσο, θα πρέπει να σημειώσετε ότι αυτό προσφέρει μικρότερη ευελιξία για τη βελτιστοποίηση της απόδοσης του ηχείου. Αν πρέπει να τοποθετηθεί σε ράφι, συνιστούμε να χρησιμοποιηθούν τα παρεμβύσματα αφρού (παρέχονται) για να βελτιστοποιηθεί η απόδοση των θυρών (ανατρέξτε στην ενότητα 4: Μικροσυντονισμός).

Και στις δύο περιπτώσεις εγκατάστασης, τα τούιτερ των ηχείων θα πρέπει να βρίσκονται περίπου στο ύψος των αυτιών, στην συνηθισμένη θέση ακρόασης.

Σημείωση: Αν χρησιμοποιείτε ράφι, διασφαλίστε ότι είναι αρκετά ανθεκτικό για να υποστηρίξει ασωτά το βάρος και τοποθετήστε τα τέσσερα αυτοκόλλητα πόδια από καουτσούκ στο κάτω μέρος του ηχείου.

HTM6 S3

Αν χρησιμοποιείτε μια τηλεοπτική συσκευή προβολής με ηχητικά διαφανή οθόνη, τοποθετήστε το ηχείο πίσω από το κέντρο της οθόνης. Διαφορετικά, τοποθετήστε το ακριβώς κάτω ή ακριβώς πάνω από την οθόνη χρησιμοποιώντας μια επιδιαπέδια βάση,



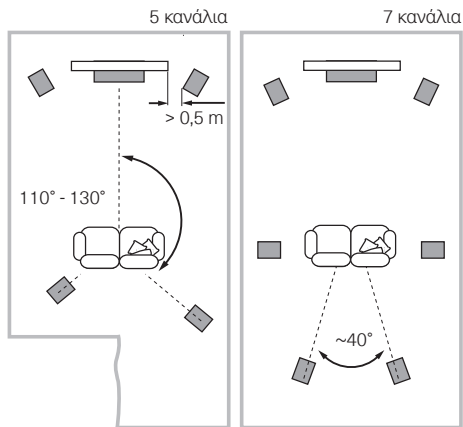
κάποιο έπιπλο ή ένα επιτοίχιο ράφι, διασφαλίζοντας ότι το ηχείο είναι όσο το δυνατόν πιο κοντά στο ύψος των αυτιών σας. Αν το ηχείο πρόκειται να τοποθετηθεί είτε σε ράφι είτε σε σχάρα μαζί με άλλο οπτικοακουστικό εξοπλισμό, στερεώστε τα τέσσερα αυτοκόλλητα πόδια από καουτσούκ στη βάση του ηχείου. Παρέχουν ένα βαθμό απομόνωσης από κραδασμούς.

Τοποθέτηση των ηχείων

Σε εγκαταστάσεις σε στερεοφωνικά συστήματα ή συστήματα οικιακού κινηματογράφου, προσπαθήστε να διασφαλίσετε ότι το άμεσο περιβάλλον του κάθε ηχείου είναι παρόμοιο σε ακουστικό χαρακτήρα. Για παράδειγμα, αν το ένα ηχείο τοποθετηθεί κοντά σε γυμνούς τοίχους και το άλλο τοποθετηθεί κοντά σε μαλακά έπιπλα και κουρτίνες, τότε τόσο η συνολική ποιότητα του ήχου όσο και η στερεοφωνική εικόνα είναι πιθανό να επηρεαστούν αρνητικά.

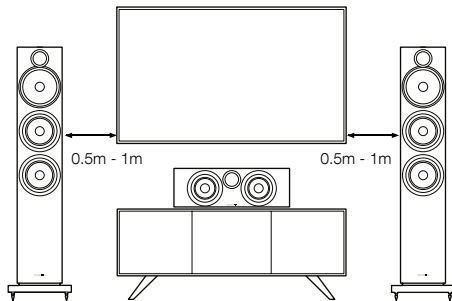
Συμβατικά στερεοφωνικά συστήματα

Καταρχήν, τα ηχεία θα πρέπει να τοποθετούνται σε απόσταση μεταξύ 1,5 m και 3 m μεταξύ τους, στις δύο γωνίες ενός ισόπλευρου τριγώνου, το οποίο ολοκληρώνεται με την περιοχή ακρόασης στην τρίτη γωνία. Τα ηχεία θα πρέπει να τοποθετηθούν σε απόσταση τουλάχιστον 0,5 m από τον πίσω τοίχο και οποιουδήποτε πλευρικούς τοίχους (σύμφωνα με την παραπάνω εικόνα).



Συστήματα οικιακού κινηματογράφου

Αν τα ηχεία πρόκειται να χρησιμοποιηθούν για τα μπροστινά κανάλια σε ένα σύστημα οικιακού κινηματογράφου, θα πρέπει να τοποθετηθούν πλησιέστερα μεταξύ τους από την περίπτωση του ήχου 2 καναλιών, επειδή τα κανάλια surround τείνουν να διευρύνουν την εικόνα. Η τοποθέτηση των ηχείων εντός απόστασης περίπου 0,5 m από τις πλευρές της οθόνης θα διατηρήσει επίσης την εικόνα του ήχου σε κλίμακα παράλληλη με την οπτική εικόνα. Όπως συμβαίνει με τη συμβατική στερεοφωνική τοποθέτηση, τα ηχεία θα πρέπει ιδανικά να απέχουν τουλάχιστον 0,5 m από οποιοσδήποτε πλευρικούς τοίχους.

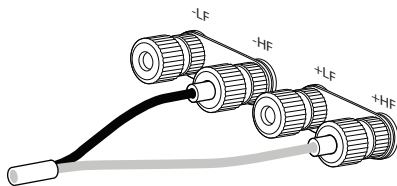


Μαγνητικά πεδία διασποράς

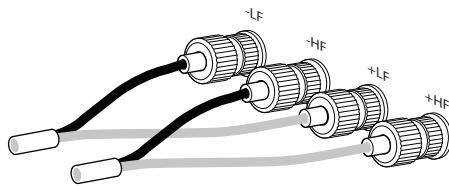
Οι μονάδες οδήγησης του ηχείου δημιουργούν μαγνητικά πεδία διασποράς που εκτείνονται εκτός των ορίων του περιβάλλοντος. Σας συστήνουμε να διατηρείτε τα αντικείμενα που είναι ευαίσθητα σε μαγνητικά πεδία (τηλεοράσεις CRT και οθόνες υπολογιστών, δίσκοι υπολογιστών, ταινίες ήχου και βίντεο, μαγνητικές κάρτες και τα παρόμοια) σε απόσταση τουλάχιστον 0,5 m από το ηχείο. Οι οθόνες LCD, OLED και πλάσματος δεν επηρεάζονται από τα μαγνητικά πεδία.

3. Συνδέσεις

Συμβατική σύνδεση



Σύνδεση με δύο καλώδια

**Σημαντική ειδοποίηση για την ασφάλεια**

Όλες οι συνδέσεις θα πρέπει να γίνονται με τον ηχητικό εξοπλισμό απενεργοποιημένο. Όταν χρησιμοποιείτε ηχητικό εξοπλισμό σε κανονική λειτουργία, το άγγιγμα μη μονωμένων ακροδεκτών ηχείων ή καλωδίωσης ενδέχεται να έχει ως αποτέλεσμα μια δυσάρεστη αίσθηση. Οι ακροδέκτες των ηχείων 600 S3 δέχονται μια ποικιλία ακροδεκτών καλωδίων: κυλινδρικά βύσματα 4 mm, διχαλωτούς ακροδέκτες 6 mm και 8 mm (1/4 ίντσας και 5/16 ίντσας) ή γυμνά καλώδια διαμέτρου έως 4 mm (5/32 ίντσας).

**Σημαντική ειδοποίηση για την ασφάλεια**

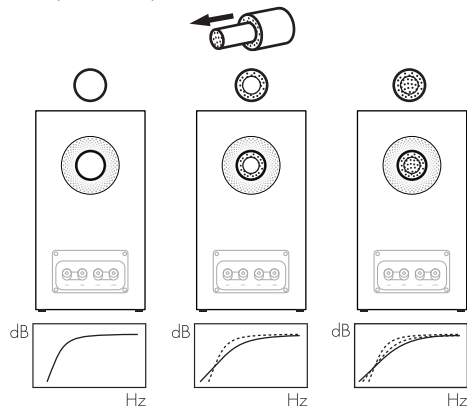
Σε ορισμένες χώρες, ειδικότερα σε αυτές της Ευρώπης, η χρήση κυλινδρικών βυσμάτων 4 mm θεωρείται δυνητικός κίνδυνος για την ασφάλεια, επειδή μπορούν να τοποθετηθούν μέσα στις οπές ακάλυπτων πριζών του δικτύου τροφοδοσίας. Προκειμένου να πληρούνται οι ευρωπαϊκοί κανονισμοί ασφαλείας CENELEC, οι οπές 4 mm στις άκρες των ακροδεκτών φράζονται με πλαστικούς πείρους. Αν χρησιμοποιείτε τα προϊόντα σε οποιαδήποτε χώρα στην οποία ισχύουν αυτές οι προϋποθέσεις, θα πρέπει να διασφαλίσετε ότι τυχόν κυλινδρικά βύσματα δεν μπορούν να χρησιμοποιηθούν με επισφαλή τρόπο από παιδιά ή άλλα ανημέρωτα άτομα. Οι πλαστικοί πείροι μπορούν να αφαιρεθούν αν θέλετε να χρησιμοποιήσετε κυλινδρικά βύσματα.

Ζητήστε συμβουλές από την τοπική αντιπροσωπία όταν επιλέγετε καλώδιο ηχείου. Διατηρήστε τη συνολική του σύνθετη αντίσταση χαμηλότερη από τη μέγιστη συνιστώμενη στις προδιαγραφές του ηχείου και χρησιμοποιήστε ένα καλώδιο χαμηλής αυτεπαγωγής για να αποφύγετε την εξασθένηση των υψηλών συχνοτήτων.

Υπάρχουν δύο συνδεδεμένα ζεύγη ακροδεκτών στο πίσω μέρος του ηχείου. Για συμβατική σύνδεση (επάνω αριστερά), οι συνδέσεις των ακροδεκτών θα πρέπει να παραμένουν στη θέση τους (όπως παραδόθηκε το προϊόν) και μόνο ένα ζεύγος ακροδεκτών να συνδέεται στον ενισχυτή. Για συνδέσεις με δύο καλώδια η ενίσχυση με δύο καλώδια (επάνω δεξιά), οι συνδέσεις των ακροδεκτών θα πρέπει να αφαιρούνται και το κάθε ζεύγος ακροδεκτών να συνδέεται στον ενισχυτή ή στους ενισχυτές ανεξάρτητα. Η σύνδεση με δύο καλώδια μπορεί να βελτιώσει την ανάλυση των λεπτομερειών χαμηλού επιπέδου.

Βεβαιωθείτε ότι οι θετικοί ακροδέκτες του ηχείου (με τον κόκκινο δακτύλιο) είναι συνδεδεμένοι με τον θετικό ακροδέκτη εξόδου του ενισχυτή και οι αρνητικοί ακροδέκτες του ηχείου (με τον μαύρο δακτύλιο) είναι συνδεδεμένοι πάντα με τον αρνητικό ακροδέκτη εξόδου του ενισχυτή. Η εσφαλμένη σύνδεση δεν θα προκαλέσει ζημιά, αλλά θα προκαλέσει κακή στερεοφωνική απεικόνιση και απώλεια μπάσων. Πάντα να βιδώνετε εντελώς μέσα τα καπάκια των ακροδεκτών, για να αποτρέψετε το κροτάλισμα.

4. Μικροσυντονισμός



Πριν από τον μικροσυντονισμό, βεβαιωθείτε ότι όλες οι συνδέσεις της εγκατάστασης είναι σωστές και σταθερές.

Η μετακίνηση των ηχείων πιο μακριά από τους τοίχους γενικώς θα μειώσει την ένταση των μπάσων. Ο χώρος πίσω από τα ηχεία θα βοηθήσει επίσης να δημιουργηθεί μια ακουστική αίσθηση βάθους. Αντιστρόφως, η μετακίνηση των ηχείων πιο κοντά στους τοίχους θα αυξήσει την ένταση των μπάσων. Αν θέλετε να μειώσετε την ένταση των μπάσων χωρίς να μετακινήσετε τα ηχεία πιο μακριά από τον τοίχο, τοποθετήστε τα παρεμβύσματα αφρού ή, για μικρότερη μείωση των μπάσων, τους δακτυλίους αφρού στους σωλήνες των θυρών (δείτε παραπάνω).

Αν τα μπάσα ακούγονται ανομοιόμορφα με τη συχνότητα, αυτό πιθανότατα θα οφείλεται στις ιδιότητες αντήχησης του δωματίου ακρόασης. Ακόμα και μικρές αλλαγές στην τοποθέτηση των ηχείων ή στη θέση ακρόασης μπορούν να έχουν σημαντική επίδραση στον τρόπο που αυτές οι αντηχίσεις επηρεάζουν τον ήχο. Δοκιμάστε να μετακινήσετε τη θέση ακρόασης ή να τοποθετήσετε τα ηχεία κοντά σε διαφορετικό τοίχο. Η παρουσία και η θέση μεγάλων επίπλων μπορεί επίσης να επηρεάσει τις ιδιότητες αντήχησης.

Αν δεν υπάρχουν εναλλακτικές, μπορείτε να προσαρμόσετε την απόδοση χαμηλών συχνοτήτων των ηχείων χρησιμοποιώντας τα παρεχόμενα παρεμβύσματα αφρού. Τα παρεμβύσματα είναι εξαρτήματα δύο τμημάτων, τα οποία επιτρέπουν έναν βαθμό μικροσυντονισμού χρησιμοποιώντας είτε μόνο το εξωτερικό τμήμα μεγαλύτερης διαμέτρου είτε και τα δύο τμήματα μαζί. Η χρήση μόνο του εξωτερικού τμήματος μεγαλύτερης διαμέτρου του παρεμβύσματος αφρού θα παρέχει χαμηλότερη εξασθένση των μπάσων από την πλήρη διάταξη του παρεμβύσματος.

Αν υπάρχει απώλεια εστίασης στην κεντρική εικόνα, δοκιμάστε να μετακινήσετε τα ηχεία πιο κοντά μεταξύ τους ή να τους δώσετε κλίση προς τα μέσα, ώστε να είναι στραμμένα προς μια θέση ακριβώς μπροστά από τη θέση ακρόασης. Αν ο ήχος είναι υπερβολικά έντονος, η τοποθέτηση περισσότερων υφασμάτων επίπλωσης στο δωμάτιο (για παράδειγμα, βαρύτερες κουρτίνες) ενδέχεται να βοηθήσει στην εξισορρόπηση του ήχου. Αντιστρόφως, η τοποθέτηση λιγότερων υφασμάτων επίπλωσης ενδέχεται να βοηθήσει να γίνει πιο έντονος ο ήχος αν είναι μουντός.

Για πιο εκλεπτυσμένη ακρόαση, αφαιρέστε τις γρίλιες πιάνοντας τις από τα άκρα τους και τραβώντας τις απαλά μακριά από το περιβλήμα.

5. Πρώτη λειτουργία

Η απόδοση του ηχείου θα αλλάξει ελαφρά κατά τη διάρκεια της αρχικής περιόδου ακρόασης. Αν το ηχείο έχει αποθηκευτεί σε ψυχρό περιβάλλον, οι ουσίες απόσβεσης των κραδασμών και τα υλικά ανάρτησης των μονάδων οδήγησης θα χρειαστούν λίγο χρόνο για να ανακτήσουν τις σωστές μηχανικές τους ιδιότητες. Τα εξαρτήματα ανάρτησης της μονάδας οδήγησης θα χαλαρώσουν επίσης κατά τη διάρκεια των πρώτων ωρών χρήσης. Ο χρόνος που χρειάζεται το ηχείο για να επιτύχει την απόδοση για την οποία προορίζεται θα ποικίλλει, ανάλογα με τις συνθήκες όπου είχε αποθηκευτεί προηγουμένως και τον τρόπο χρήσης του. Ως κανόνα, να αφήνετε να παρέλθει έως μία εβδομάδα για να σταθεροποιηθούν οι επιδράσεις της θερμοκρασίας και 15 ώρες χρήσης κατά μέσο όρο προκειμένου τα μηχανικά μέρη να αποκτήσουν τα κατάλληλα χαρακτηριστικά σχεδίασης.

6. Φροντίδα και συντήρηση

Οι επιφάνειες του περιβλήματος συνήθως χρειάζονται μόνο ξεσκόνισμα. Συνιστούμε να χρησιμοποιήσετε ένα μαλακό πανί μικροϊνών. Αν θέλετε να χρησιμοποιήσετε καθαριστικό σε μορφή αεροζόλ ή άλλο καθαριστικό, απλώστε το καθαριστικό πάνω στο πανί, όχι απευθείας πάνω στο προϊόν, και δοκιμάστε πρώτα σε μια μικρή περιοχή, καθώς μερικά προϊόντα καθαρισμού ενδέχεται να προκαλέσουν ζημιά σε ορισμένες από τις επιφάνειες. Αποφεύγετε τα αποξεστικά προϊόντα ή τα προϊόντα που περιέχουν όξινους, αλκαλικούς ή αντιβακτηριδιακούς παράγοντες. Μη χρησιμοποιείτε καθαριστικά στις μονάδες οδήγησης. Αποφεύγετε να αγγίζετε τις μονάδες οδήγησης, καθώς ενδέχεται να προκληθεί ζημιά.

1. Распаковка

	Гриль	Поролоновая заглушка	Резиновые опоры (самоклеющиеся)	Резиновые опоры (на винтах)	Шпилы с резьбой	Плита основания	Шестигранный ключ	Болт 45 мм	Плоские шайбы	Упорные шайбы
603 S3	1	1		4	4	1	1	4	4	4
606 S3 607 S3	2	2	8							
HTM6 S3	1	1	4							

Содержание упаковки

В Таблице сверху показаны детали и компоненты, упакованные вместе с продуктом. В редких случаях, когда чего-то не хватает, пожалуйста, свяжитесь с продавцом, у которого вы купили колонки.

Информация по защите окружающей среды

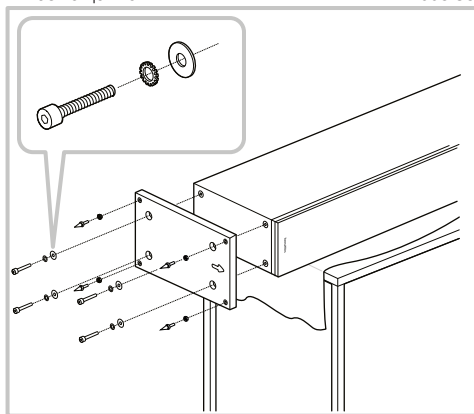
Этот продукт полностью соответствует международным директивам, включая, но не ограничиваясь:

- i. По ограничениям использования опасных материалов (**R**estriction of **H**azardous **S**ubstances – RoHS) в электрическом и электронном оборудовании,
- ii. По регистрации, оценке, авторизации и ограничению использования химических веществ – **R**egistration, **E**valuation, **A**uthorisation and restriction of **C**hemicals (REACH)
- iii. По утилизации отходов – **W**aste **E**lectrical and **E**lectronic **E**quipment – (WEEE).

Проконсультируйтесь с вашей местной организацией, которая занимается утилизацией отходов, по вопросам правильной сдачи вашего оборудования в утиль.

2. Размещение

603 S3



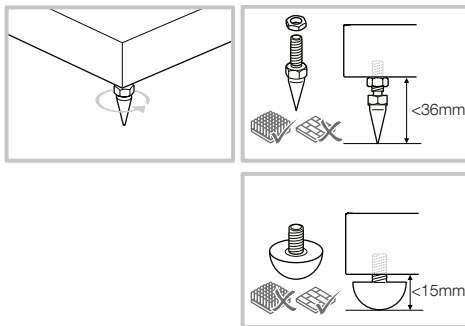
Установка колонок 603 S3

603 S3 предназначена только для напольной установки. Для надлежащей устойчивости всегда используйте прилагаемую плиту основания, а затем убедитесь, что колонки прочно стоят на полу – на прилагаемых резиновых опорах или на шипах.

Вы можете прикрепить плиту основания в ходе распаковки, следуя иллюстрациям, приведенным выше или диаграмме на крышке упаковочной коробки.

Предостережение

Плита основания ДОЛЖНА непременно использоваться, причем вместе с установленными в нее резиновыми опорами или шипами. НИ В КОЕМ СЛУЧАЕ НЕ прикрепляйте резиновые опоры или шипы прямо к корпусу колонки.

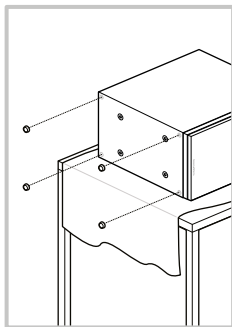


Важное уведомление по технике безопасности

Острые конусные опоры, руками не трогать.

Шипы рассчитаны на то, чтобы проткнуть ковер и опираться на поверхность пола. Сначала наверните контргайки на шипы так, чтобы остался небольшой зазор над ковром при шипах, прочно стоящих на полу. Затем заверните шипы до упора в отверстия с резьбой в опорной плите. Если корпус шатается на полу, отверните назад шипы, которые не касаются пола, чтобы он прочно встал на все опоры. Наконец, зафиксируйте гайки на плите основания и осторожно затяните их, чтобы удержать шип от вращения. Более удобно отрегулировать высоту шипов после того, как вы выберете оптимальное место для колонок.

Если у вас нет ковра, и вы хотите избежать царапин на полу, используйте защитные металлические диски (например, монеты), вставляемые между шипами и полом, или же установите резиновые ножки из комплекта. Привинтите резиновые опоры и выровняйте корпус точно так же, как и в случае с шипами.



606 S3 / 607 S3

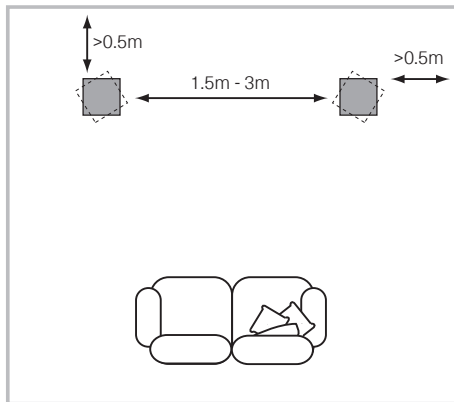
606 S3 и 607 S3 предназначены, прежде всего, для установки на специальные подставки (FS-600 S3), но по желанию их можно устанавливать и на полки. Однако необходимо отметить, что такое размещение оставляет меньше возможностей для оптимизации звучания колонок. Если же необходимо использовать размещение на полках, мы рекомендуем вставлять поролоновые заглушки (прилагаемые в комплекте) для оптимизации работы портов фазоинвертора (см. Раздел 4: Тонкая настройка).

При обоих вариантах установки твитеры колонок должны быть приблизительно на уровне ушей слушателей в обычном месте для прослушивания.

Примечание: Если вы используете полку, убедитесь, что она достаточно прочная, чтобы выдержать вес колонок, и наклейте четыре самоклеющиеся резиновые опоры на их нижнюю часть.

HTM6 S3

При использовании проектора с акустически прозрачным экраном, разместите колонку за центром экрана. В остальных случаях устанавливайте ее выше или ниже экрана, используя подставку, мебель или настенную полку, выбирая высоту установки как можно ближе к уровню ушей слушателей. Если акустическая система должна быть установлена на полке или на подставке вместе с другим AV оборудованием, наклейте четыре самоклеющиеся резиновые опоры на ее основание. Они обеспечат некоторую виброизоляция.

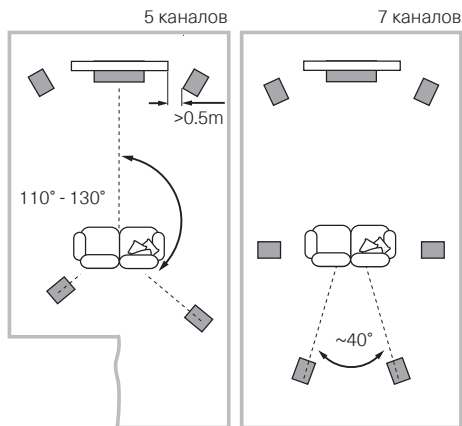


Выбор места для колонок

В системах домашнего театра или стереосистемах старайтесь сделать так, чтобы ближнее окружение каждой из колонок было похожим по акустическим свойствам. Например, если одна АС примыкает к голым стенам, а другая – к мягкой мебели и шторам, то это может отрицательно повлиять на звучание.

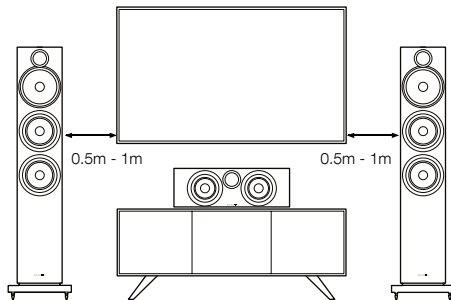
Обычные стереосистемы

Для начала расположите АС на расстоянии от 1,5 до 3 м друг от друга в двух углах равностороннего треугольника, третий угол которого – это центр зоны прослушивания. Колонки следует размещать на расстоянии не менее 0,5 м от стен сзади и сбоку (см. рисунок выше).



Системы домашнего театра

Если АС используются как фронтальные каналы в домашнем театре, они должны стоять ближе друг к другу, чем в 2-канальном варианте, т.к. тыловые каналы расширяют образ. Размещение АС на расстоянии приблизительно по 0.5 м от сторон экрана также помогает согласовать масштаб звукового и зрительного образа. Как и в случае обычного стерео, АС должны в идеале располагаться на расстоянии не менее 0.5 м от задней и боковых стен.

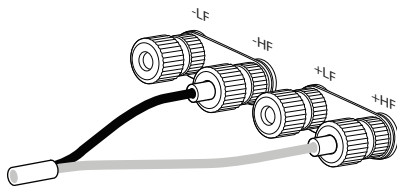


Рассеянное магнитное поле

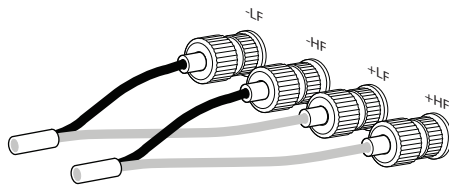
Динамики колонок создают магнитное поле, выходящее за их пределы. Мы рекомендуем держать магниточувствительные предметы (кинескопные CRT-телевизоры, дисплеи, дискеты, магнитные аудио и видеокассеты, карточки и т.п.) на расстоянии минимум 0.5 м от колонок. LCD, OLED и плазменные панели не подвержены действию магнитных полей.

3. Подсоединения

Обычное соединение



Соединение би-ваерингом



Важное уведомление по технике безопасности

Все подключения выполняются при выключенной аудиосистеме. При использовании аудиосистемы в стандартном режиме касание неизолированных выводов колонки или проводки может вызвать неприятные ощущения. Клеммы 600 S3 принимают широкое разнообразие кабельных разъемов: 4-мм разъемы «бананы», лопатки шириной 6 мм и 8 мм (1/4 in и 5/16 in) или же зачищенные концы кабелей диаметром до 4 мм (5/32 in).



Важное замечание по безопасности

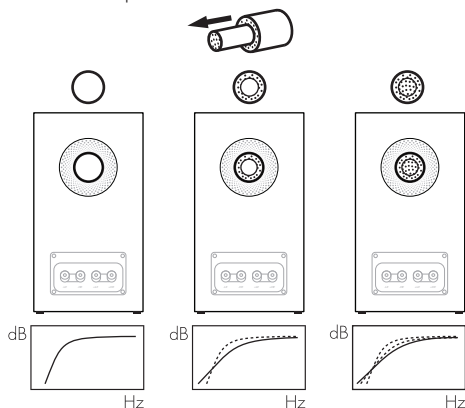
В некоторых странах, в частности в Европе, использование 4-мм разъемов «бананов» считается потенциально опасным, т.к. их по ошибке можно вставить в электрическую розетку. Для согласования с европейскими нормами безопасности (European CENELEC), 4-мм отверстия на концах клемм заблокированы пластмассовыми пробками. Если вы используете продукт в стране, где эти нормы действуют, вы должны быть уверены, что разъемы «бананы» не смогут быть применены детьми или неосведомленными людьми с опасностью для здоровья. Пластиковые штифты могут быть удалены, если необходимо использовать разъемы типа банан.

Попросите вашего дилера порекомендовать кабель. Старайтесь, чтобы его импеданс был ниже максимально допустимого в спецификации, а индуктивность тоже была низкой, чтобы не ослабить высокие частоты.

На задней панели колонок имеются две пары соединенных колоночных клемм. При обычном соединении (как вверху слева), соединительные пластины должны оставаться на месте (как в момент поставки АС) и только одну пару клемм необходимо подсоединить к усилителю. Для подключения колонок би-ваерингом или би-ампингом (как вверху справа), соединительные пластины следует удалить, и каждую пару клемм подсоединить к усилителю (или усилителям) независимо. Подключение би-ваерингом может улучшить разрешение деталей малого уровня.

Подсоедините плюсовой разъем колонки (с красным ободком) к плюсовому выходу усилителя, а минусовой (с черным ободком) – к минусовому на усилителе. Неверное подключение приведет к искажению звукового образа и утере басов. Обязательно завинтите крышку разъема до упора вперед, чтобы прочно закрепить кабель.

4. Тонкая настройка



Перед окончательной точной настройкой убедитесь, что все подключено правильно и надежно.

Отдвигая колонки от стен, вы, как правило, уменьшаете уровень басов. Достаточное расстояние позади колонок позволяет также создать ощущение глубины. Соответственно, придвинув колонки к стенам, вы увеличите долю басов. Если вы хотите снизить уровень басов, не отдавая колонки от стен, вставьте поролоновую заглушку в порт фазоинвертора, или же – для не такого резкого снижения – поролоновое кольцо (см. рис. выше).

Если интенсивность басов сильно зависит от частоты, это может быть вызвано акустическими свойствами вашего помещения для прослушивания. Даже небольшие изменения в расположении колонок или слушателей могут существенно повлиять на качество звучания, особенно на низких частотах. Попробуйте сменить место прослушивания или размещение ваших колонок, например, установить их вдоль другой стены, если это возможно. Наличие или отсутствие крупногабаритной мебели также может повлиять на возникновение резонансов в комнате.

Если выбора нет, можно настроить характер звучания ваших акустических систем на низких частотах с помощью прилагаемых поролоновых заглушек. Заглушки состоят из двух частей, что обеспечивает определенную степень тонкой настройки с использованием либо одного кольца большего диаметра, либо двух частей вместе. Использование только наружного кольца из пенопласта большего диаметра обеспечивает меньшее ослабление низких частот, чем полная заглушка порта.

Если звуковой образ в центре слабоват, попробуйте пододвинуть колонки ближе друг к другу или же направить в точку перед слушателями. Если звук слишком резкий, добавьте мягкой мебели в комнате (например, повесьте тяжелые шторы), или наоборот – уберите их, если звук глухой и безжизненный.

Для наиболее взыскательных слушателей снимите защитные решетки с басовой и среднечастотной секций, взяв их за края и осторожно потянув к себе.

5. Прогрев и приработка

Звучание АС слегка меняется в течение начального периода прослушивания. Если колонка хранилась в холодном помещении, то для демпфирующих материалов и подвеса динамиков потребуются некоторое время на восстановление механических свойств. Подвес диффузора также слегка снижает свою жесткость в течение первых часов работы. Время, которое потребуется АС для полного выхода на расчетные характеристики зависит от условия хранения и интенсивности использования. Как правило, потребуется неделя на устранения температурных эффектов и около 15 часов на достижение механическими частями желаемых характеристик.

6. Уход

Обычно корпуса колонок не требуют ничего, кроме протирки от пыли. Мы рекомендуем для этого мягкую ткань из микрофибры. Если же вы захотите использовать антистатик-аэрозоль для чистки, то распыляйте аэрозоль на протирочную ткань, а не на корпус. Испробуйте его сначала на небольшом участке поверхности, т.к. некоторые моющие вещества могут повреждать отделку. Избегайте применения жидкостей с абразивными частицами, содержащих кислоту или щелочь, а также антибактериальные вещества. Не используйте чистящие жидкости для динамиков. Избегайте касания диффузоров динамиков, т.к. это может привести к их повреждению.

1. Vybalení

	Mřížka	Pěnová zálepka	Pryžová nožička (samolepící)	Pryžová nožička (šroubovací)	Hrot	Podstavec	Imbusový klíč	45mm šroub	Plochá podložka	Pružná podložka
603 S3	1	1		4	4	1	1	4	4	4
606 S3 607 S3	2	2	8							
HTM6 S3	1	1	4							

Obsah Balení

Výše uvedená tabulka zobrazuje všechno příslušenství, které je k výrobku přibaleno. Pokud by cokoli z příslušenství chybělo, kontaktujte prosím prodejce, od kterého jste reproduktory zakoupili.

Informace o životním prostředí

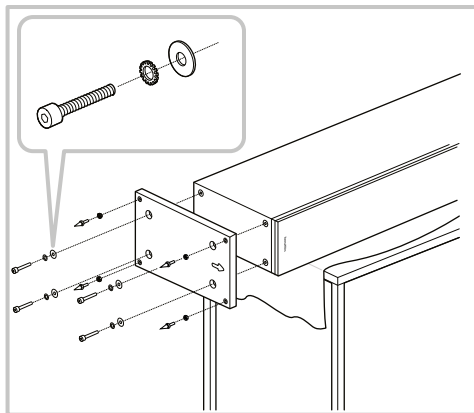
Tento produkt vyhovuje mezinárodním směrnici včetně, avšak nikoli výhradně:

- i. směrnice omezující používání nebezpečných látek v elektrických a elektronických zařízeních (RoHS)
- ii. směrnice pro registraci, hodnocení, povolování a omezování chemických látek (REACH)
- iii. směrnice pro likvidaci vyřazených elektrických a elektronických zařízení (WEEE).

Informace o správné recyklaci a likvidaci tohoto produktu vám poskytnou místní úřady zabývající se likvidací odpadu

2. Instalace

603 S3



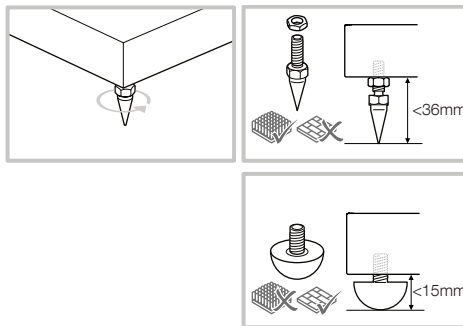
Instalace reprosoustav 603 S3

Reprosoustavy 603 S3 jsou určeny pro instalaci na podlahu. Pro zajištění nejlepší stability vždy instalujte dodávané podstavce společně s dodávanými hroty či gumovými nožičkami a ujistěte se, že reprosoustava stojí na zemi pevně.

Podstavce můžete na reprosoustavy namontovat již v průběhu procesu vybalování dle výše uvedených obrázků, nebo dle obrázků vytištěných přímo na horní částí kartonu.

Upozornění

Vždy MUSÍ být instalován podstavec, do kterého jsou pak montovány hroty, či gumové nožičky. NEMONTUJTE hroty či nožičky přímo na reprosoustavy.

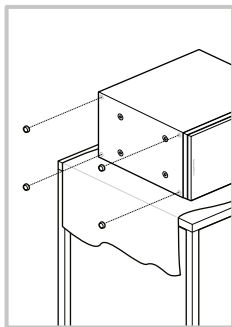


Důležité bezpečnostní varování

Ostrý hrot – nedotýkat se

Hroty jsou navrženy tak, aby pronikly případným kobercem až k pevnému povrchu podlahy. Nejprve na hroty směrem ke špičce našroubujte až na doraz pojistné matice. Pak hroty zcela zašroubujte do otvorů ve spodní části podstavce. Pokud se reprosoustava kolébá, povyšroubujte vždy ten z hrotů který nedosedá na povrch podlahy, dokud reprosoustava nebude stát pevně. Nakonec pomocí klíče dotáhněte směrem k podstavci pojistné matice, aby se hrot samovolně neotáčel. Tuto operaci je nelépe provádět tehdy, stojí-li již reprosoustava na místě, kde má být instalována.

Není-li použit koberec a máte obavu z poškození povrchu podlahy, použijte mezi podlahu a hroty nějaké kovové podložky, nebo místo hrotů použijte dodávané pryžové nožičky. Postup montáže nožiček je v podstatě stejný, jako postup při montáži hrotů.



606 S3 / 607 S3

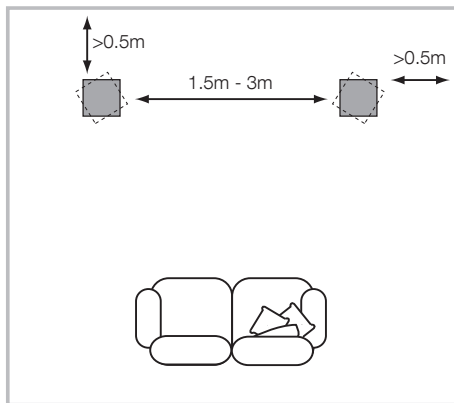
Reprosoustavy 606 S3 a 607 S3 jsou určeny pro montáž na příslušné stojany (FS-600 S3), nicméně mohou být umístěny také na regál – takový způsob montáže ovšem poskytuje méně flexibility pro optimalizaci umístění. Pokud z nějakého důvodu zvolíte umístění na polici či regál, doporučujeme pro optimalizaci zvuku použít dodávané pěnové vložky do basreflexu (viz. kapitola 4: Finální doladění).

V každém případě se snažte, aby se výškový reproduktor nacházel co nejbližší výšce uší sedícího posluchače.

Poznámka: Instalujete-li reprosoustavy na regál, ujistěte se, že unese jejich hmotnost a použijte pod reprosoustavy čtyři dodávané samolepící pryžové nožičky.

HTM6 S3

Používáte-li jako zobrazovač projekci s průsviřným projekčním plátnem, umístěte reprosoustavu za toto plátno, co nejbližší středu promítaného obrazu. V ostatních případech umístěte reprosoustavu co nejbližší spodní či horní hraně zobrazovače, podle toho, co je bližší výšce uší posluchače. Čelní stěna reprosoustavy by přitom měla být co nejvíce zarovnána se zobrazovací plochou. Reprosoustavu je nejlépe namontovat na pevný regál či nástěnný držák, případně na pevný podlahový



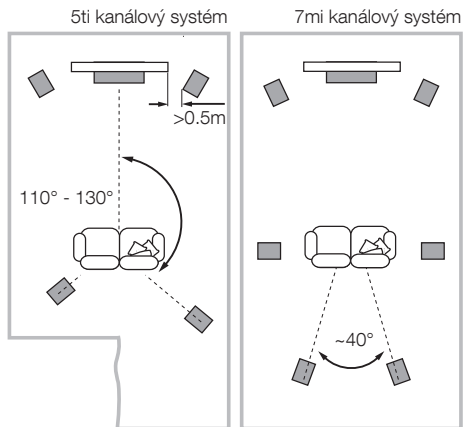
stojan. Má-li být reprosoustava na stojan či regál položena, nalepte na její spodní stranu čtyři dodávané samolepící podložky, které omezují přenos vibrací.

Pozice reprosoustav

Ať již se jedná o stereo či domácí kino, snažte se vždy, aby všechny reprosoustavy měly stejné akustické podmínky. Je-li například jedna reprosoustava umístěna blíže k holé zdi, zatímco druhá je blíže čalouněnému nábytku či závěsu, dojde pravděpodobně ke špatnému stereofonnímu zobrazení.

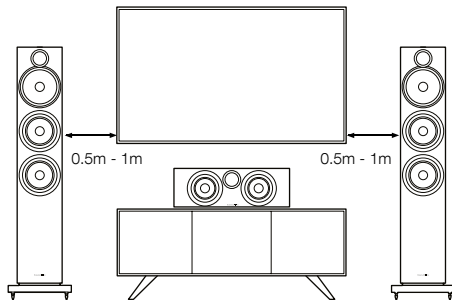
Klasické Stereo

Pro začátek zkuste reprosoustavy umístit 1,5m až 3m od sebe tak, aby tvořily s místem poslechu rovnostranný trojúhelník. Reprosoustavy by se přitom měly nacházet zhruba 0,5m od stěny která je za nimi a minimálně 0,5m od bočních zdí (viz. obrázek nahore)



Domácí kino

Mají-li být reprosoustavy použity pro přední kanály domácího kina, lze je instalovat v sevřenějším úhlu než u dvoukanálového audia, protože prostorovost reprodukce rozšíří surroundové kanály. Umístěte reprosoustavy zhruba do vzdálenosti 0,5m od stran zobrazovače, aby šíře zvuku dobře korespondovala s rozměrem obrazu. Stejně jako při stereofonní aplikaci, je i v tomto případě ideální, pokud se reprosoustavy nacházejí nejméně 0,5m od okolních stěn.

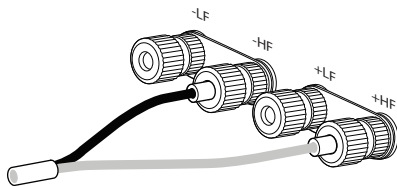


Rozptyl magnetického pole

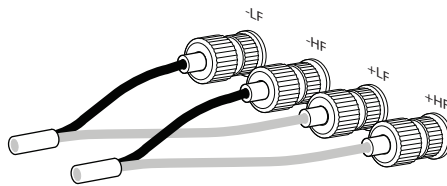
Jednotlivé reproduktory produkují stálé magnetické pole, které přesahuje rozměr reprosoustavy. Doporučujeme tedy umísťovat předměty citlivé na magnetizmus (CRT televizory a počítačové monitory s klasickou obrazovkou, počítačové disky, audio a video kazety atd.) do vzdálenosti více než 0,5m od reprosoustavy, aby se zabránilo jejich poškození magnetickým polem. LCD, OLED a plazmové zobrazovače nejsou na toto vyzařování citlivé.

3. Zapojení

Normální zapojení



Zapojení Bi-Wire

**Důležité bezpečnostní upozornění**

Všecká zapojení provádějte pouze tehdy, jsou-li všechna zařízení v systému vypnuta. Při používání audio zařízení v běžném provozu může mít dotyk neizolovaných reproterminálů nebo kabeláže za následek nepříjemný pocit. Terminály reprosoustav řady 600 S3 umožňují připojení různě zakončených kabelů: 4mm banánky, 6mm a 8mm vidličky, nebo holé konce až do průměru 4 mm.

**Důležité bezpečnostní upozornění**

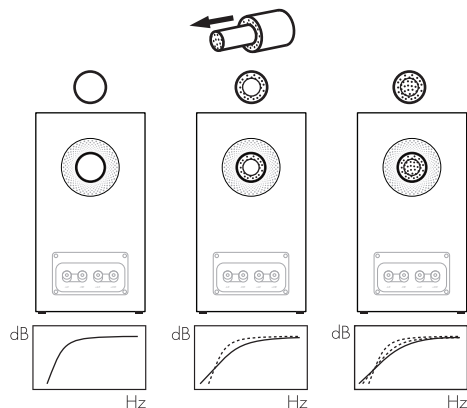
V některých, zejména Evropských zemích, je používání 4mm banánků považováno za potenciálně nebezpečné, protože jsou mechanicky kompatibilní s otvory napájecích zásuvek. V souvislosti s evropskými bezpečnostními předpisy CENELEC jsou tedy otvory v terminálech blokovány plastovými zásepky. Tyto zásepky lze samozřejmě demontovat, nicméně používáte-li reprosoustavy v zemi, kde tyto předpisy platí a chcete přesto banánky používat, zajistěte, aby s nimi nemohly manipulovat děti či jiné nepovolané osoby.

Ohledně vhodného kabelu se prosím obraťte na svého prodejce. Snažte se přitom nepřekračovat maximální doporučenou impedanci kabelu, uvedenou ve specifikacích reprosoustav. Příliš vysoká impedance kabelu může mít za následek útlum vysokých frekvencí.

Na zadní straně reprosoustavy jsou dva páry terminálů, spojené propojkami. Při klasickém způsobu zapojení (nahore vlevo), nechte propojky na svém místě (jak jsou při dodání) a pouze jeden z párů připojte kabelem k terminálům zesilovače. Pro bi-wire či bi-amp zapojení (nahore vpravo) je třeba propojky terminálů odstranit a každý pár terminálů připojit k zesilovači samostatně. Zapojení bi-wire napomáhá lepší reprodukci slabých detailů.

Dbejte, aby kladný kontakt reprosoustavy (označený červeně a znaménkem +) byl připojen ke kladnému kontaktu zesilovače a záporný kontakt (označený černě a znaménkem-) k zápornému. Nesprávné zapojení může mít za následek špatný stereofonní obraz a úbytek basů. Matice terminálů vždy pevně dotáhněte, aby nedocházelo k rezonancím.

4. Finální doladění



Před konečným doladčováním znovu zkontrolujte, zda je veškeré zapojení provedeno správně a pevně.

Posunutím reprosoustav od zdí můžete redukovat celkovou úroveň basů. Prostor za reprosoustavami také pomáhá správnému podání hloubky zvukového obrazu. Obráceně, posunete-li reprosoustavy blíže ke zdi, zvýšíte úroveň basů. Pro redukci úrovně basů bez posouvání reprosoustav od zdí, můžete použít pěnové zátky do basreflexových otvorů (viz obrázek nahoře).

Nepříjemné zdůraznění basů může být také způsobeno rezonančními mody místnosti. V takovém případě zkuste měnit pozici obou reprosoustav, můžete vyzkoušet i jejich umístění podél jiné stěny či změnit místo poslechu. Vliv na rezonanční mody místnosti (a tedy i na výsledný zvuk) může mít také přemístění větších kusů nábytku.

Není-li možná jiná alternativa, můžete reprodukci basů doladit použitím dodávaných pěnových zátek do basreflexového otvoru. Zátka je rozdělena na dvě části a umožňuje postupné zatlumení basreflexu. Použitím pouze vnějšího kroužku docílíte menšího potlačení basů, než při použití celé zátky.

Je-li při stereu zvuk mezi oběma reprosoustavami málo konkrétní, zkuste zmenšit vzdálenost, která mezi nimi je, nebo reprosoustavy mírně natočte směrem k poslechovému místu. Pokud je zvuk moc ostrý, zkuste místnost zatlumit například pomocí těžkého závěsu či čalouněného nábytku. Naopak tyto materiály omezte v případech, že je zvuk příliš mdlý a postrádá výšky.

Pro velmi kritický poslech můžete z reprosoustav sejmut jejich látkové, magneticky uchycené krycí mřížky – jednoduše je uchopte za jejich okraj a jemným tahem je sejmete z ozvučnice.

5. Rozehrávání

Zvuk reprosoustav se během určité doby používání mírně mění. Zvláště pokud byly reprosoustavy skladovány v chladném prostředí, nabývají tlumicí závěsy a některé materiály v reproduktorech teprve během provozu své správné mechanické vlastnosti. Během prvních hodin provozu se jednotlivé části reproduktoru navzájem ideálně přizpůsobují. Délka tohoto procesu, během kterého reprosoustava postupně zvukově „vzrává“ je velmi závislá na způsobu předchozího skladování a způsobu používání. Bývá pravidlem, že po zhruba týdnu teplotní stabilizace a asi 15 hodinách běžného provozu dosáhnou použité mechanické díly svých optimálních charakteristik.

6. Údržba

Povrch kabinetu vyžaduje obvykle pouze občasné setření prachu. Doporučujeme používat utěrku z mikrovlákna. Používáte-li čisticí prostředek ve spreji, nastříkejte jej napřed na utěrku, ne přímo na ozvučnici a vyzkoušejte jej napřed na malé ploše, zda nepoškozuje povrch. Vyvarujte se čisticidel obsahujících abraziva, kyseliny, chemikálie či antibakteriální složky. Případné usazené nečistoty mohou být z ozvučnice odstraněny pomocí slabého mýdlového roztoku (bez parfémovacích složek), ve kterém navlhčíte utěrku. Nikdy se nedotýkejte membrán reproduktorů, mohlo by dojít k jejich poškození.

1. Kicsomagolás

	Rács	Hab dugó	Gumitalp (öntapadó)	Gumitalp (csavarozható)	Tüskeláb	Lábazat	Allen Key	45 mm-es csavar	Sima alátét	Rázásálló alátét
603 S3	1	1		4	4	1	1	4	4	4
606 S3 607 S3	2	2	8							
HTM6 S3	1	1	4							

A kartondoboz tartalma

A fenti táblázat a termékhez mellékelt alkatrészeket mutatja be. Abban a valószínűtlen esetben, ha valami hiányzik, forduljon ahhoz a kereskedőhöz, akitől a hangsugárzókat vásárolta.

Környezetvédelmi információk

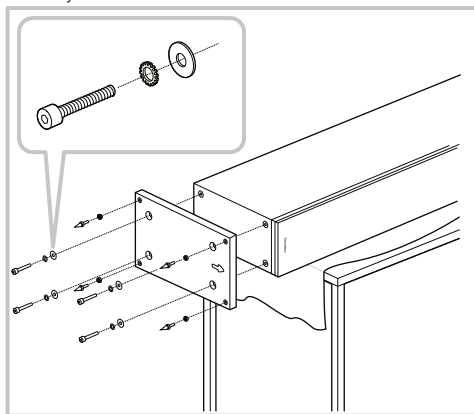
Ez a termék megfelel a nemzetközi irányelveknek, beleértve, de nem kizárólagosan:

- i. a veszélyes anyagok korlátozása (RoHS) az elektromos és elektronikus berendezésekben,
- ii. a vegyi anyagok regisztrációja, értékelése, engedélyezése és korlátozása (REACH)
- iii. az elektromos és elektronikus berendezések hulladékainak (WEEE) ártalmatlanítása.

A termék újrahasznosításával vagy ártalmatlanításával kapcsolatban forduljon a helyi hulladékkezelési hatósághoz.

2. Elhelyezés

603 S3



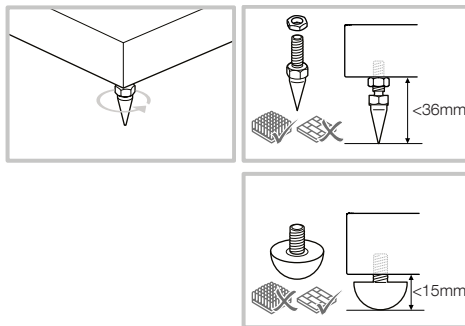
Hangszóró beszerelése 603 S3

A 603 S3 csak padlóra szerelhető. A megfelelő stabilitás érdekében mindig szerelje fel a mellékelt lábazatot, majd a mellékelt tüske vagy gumilábak segítségével ellenőrizze, hogy a hangszórók szilárdan állnak a padlón.

A lábazatot a kicsomagolási folyamat során rögzítheti a fenti ábrák vagy a kartondoboz felső szárnyán lévő diagramok szerint.

Figyelem

A lábazatot mindig **KÖTELEZŐ** használni úgy, hogy a gumi-vagy tüksés lábakat a lábazatba kell helyezni. **NE** helyezzen gumit vagy tüksés lábakat közvetlenül a hangfaldobozba.

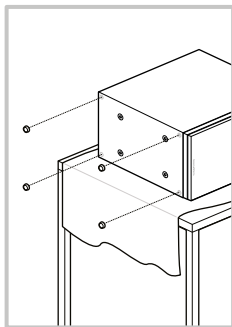


Fontos biztonsági megjegyzés

Éles tüksék, ne érintse meg.

A tüksés lábakat úgy tervezték, hogy átszűrjék a szőnyeget és a padló felületén fekvődjenek. Kezdetben csavarja rá a rögzítőanyákat a tüksékre csak annyira, hogy az anyák közvetlenül a szőnyeg felett lebegjenek, amikor a tüksék a padlón fekszenek. Ezután csavarja be teljesen a tükséket a lábazatban lévő menetes betétekbe. Ha a hangfaldoboz a padlóra helyezve billeg, akkor csavarja ki a két tüksét, amelyek nem érnek hozzá a padlóhoz, amíg a hangfal szilárdan, billegés nélkül meg nem támaszkodik. Végül rögzítse az anyákat az alaphoz a mellékelt villáskulcs segítségével, hogy finoman meghúzza az anyát, miközben a mellékelt tommy rudat használja a tüksetalp forgásának megállításához. Kényelmesebb lehet a tüksés label felszerelése és beállítása, miután a hangszugárzók elhelyezése optimalizálva lett.

Ha nincs szőnyeg, és szeretné elkerülni a padlófelület megkarcolását, használjon fém védőkorongot (esetleg érmét) a tüske és a padló közé, vagy használja a mellékelt gumilábakat. Szerelje fel a gumilábakat, és vízszintesítse a hangfaldobozt ugyanúgy, mint a tüksés lábak esetében.



606 S3 / 607 S3

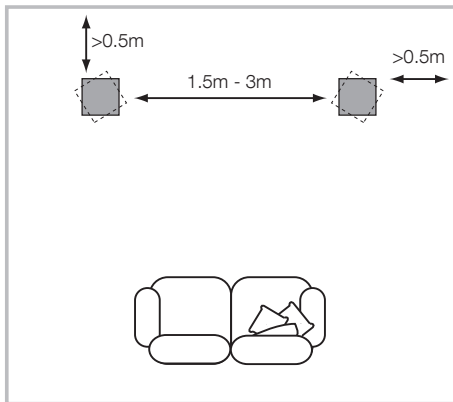
A 606 S3 and 607 S3 modelleket elsősorban arra tervezték, hogy egy dedikált padlóállványra (FS-600 S3) rögzítsék, de kívánság szerint polcra is helyezhető. Meg kell azonban jegyezni, hogy ez kevesebb rugalmasságot kínál a hangszóró teljesítményének optimalizálásához. Ha polcra kell helyezni, javasoljuk a (mellékelt) habdugó használatát a port teljesítményének optimalizálása érdekében (lásd 4. szakasz: Finomhangolás).

Mindkét telepítési esetben a hangszórók magasságúzóinak körülbelül a fül magasságában kell lenniük a szokásos hallgatási pozícióban.

Megjegyzés: Ha polcot használ, győződjön meg arról, hogy az elég erős ahhoz, hogy megfelelően elbírja a súlyt, és illessze a négy öntapadó gumi lábat a hangfal alsó oldalára.

HTM6 S3

Ha akusztikailag átlátszó képernyővel rendelkező vetítős televíziót használ, helyezze a hangszórót a képernyő közepe mögé. Ellenkező esetben helyezze közvetlenül a képernyő alá vagy fölé padlóállvány, bútoregység vagy fali polc segítségével, ügyelve arra, hogy a hangszóró a lehető legközelebb legyen a fül magasságához. Ha a hangszórót polcra vagy más AV- berendezéssel közös rackbe kívánja helyezni, rögzítse a



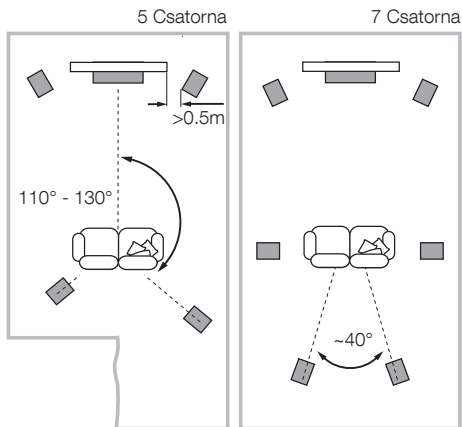
négy öntapadó gumi lábat a hangszóró aljához. Bizonyos fokú rezgésszigetelést biztosítanak.

Hangfal elhelyezése

Akár sztereó, akár házimozsi rendszer esetén, ügyeljen arra, hogy az egyes hangszórók közvetlen környezete hasonló akusztikus jellegű legyen. Például, ha az egyik hangszóró csupasz falak mellett, míg a másik puha bútorok és függönyök mellett van, valószínűleg mind az általános hangminőség, mind a sztereó kép romlik.

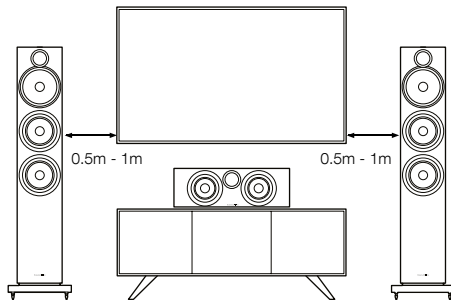
Hangománys sztereó rendszerek

Először is, a hangszórókat 1,5 és 3 m közötti távolságra kell elhelyezni egy egyenlő oldalú háromszög két sarkában, amelyet a harmadik sarokban lévő hallgatási terület egészít ki. A hangszórókat legalább 0,5 m-re kell elhelyezni a hátsó és az oldalfalaktól (a fenti ábra szerint).



Házimozi rendszerek

Ha a hangszugárzókat házimozirendszer elülső csatornáihoz kívánja használni, akkor azokat közelebb kell elhelyezni egymáshoz, mint a 2 csatornás hanghoz, mert a térhatású csatornák hajlamosak kiszélesíteni a képet. Ha a hangfalakat a képernyő oldalaitól körülbelül 0,5 méteren belül helyezi el, az is segít a hangkép méretarányában tartani a vizuális képpel. A hagyományos sztereó elhelyezéshez hasonlóan a hangszugárzónak ideális esetben legalább 0,5 m távolságra kell lenniük bármely oldalfaltól.

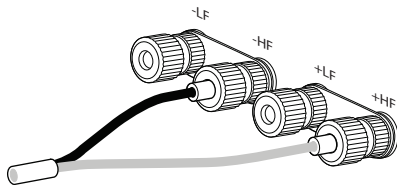


Kóbor mágneses mezők

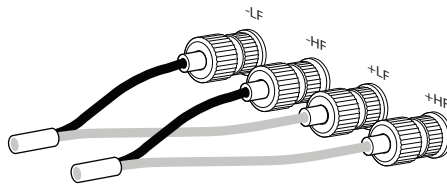
A hangszugárzó-meghajtó egységek szórt mágneses mezőket hoznak létre, amelyek túlyúlnak a doboz határain. Javasoljuk, hogy a mágnesesen érzékeny tárgyakat (CRT televízió és számítógép képernyője, számítógépes lemezek, audio- és videoszalagok, kártyák és hasonló) tartsa legalább 0,5 m távolságra a hangszugárzótól. Az LCD, OLED és plazma képernyőket nem érintik a mágneses mezők.

3. Kapcsolatok

Hagyományos csatlakozás



Bi-Wired csatlakozás

**Fontos biztonsági megjegyzés**

Minden csatlakoztatást kikapcsolt audioberendezés mellett kell elvégezni. Ha normál üzemmódban használja az audioberendezést, ha meg érinti a szigetetlen hangszóró kivezetést vagy vezetékét, az kellemetlen érzést okozhatnak. A 600 S3 hangszóró csatlakozók különféle kábelsatlakozásokat fogadnak: 4 mm-es banáндugókat, 6 mm-es és 8 mm-es (1/4 hüvelyk és 5/16 hüvelyk) villás csatlakozót, vagy csúszasz vezetékeket 4 mm (5/32 hüvelyk) átmérőig.

**Fontos biztonsági megjegyzés**

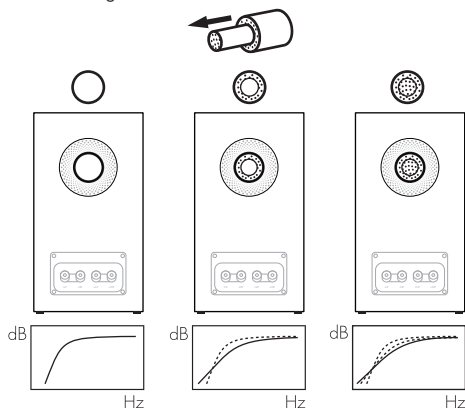
Egyes országokban, különösen az európaiakban, a 4 mm-es banáндugók használata potenciális biztonsági kockázatnak számít, mivel a hálózati csatlakozóaljzatok bedughatóak a lyukakba. Az európai CENELEC biztonsági előírásoknak való megfelelés érdekében a csatlakozók végein lévő 4 mm-es lyukakat műanyag csapok zárják le. Ha a termékeket olyan országban használja, ahol ezek a feltételek érvényesek, gondoskodnia kell arról, hogy a banáндugót gyermekek vagy más tájékozatlan személyek ne használják nem biztonságos módon. A műanyag tuskék eltávolíthatók, ha banáндugót szeretne használni.

A hangszórókábel kiválasztásakor kérjen tanácsot forgalmazójától. Tartsa a teljes impedanciáját a hangszóró specifikációjában javasolt maximális érték alatt, és használjon alacsony induktivitású kábelt, hogy elkerülje a magas frekvenciák csillapítását.

A hangszóró hátulján két csatlakozó pár található. Hagyományos csatlakoztatáshoz (balra fent) a sorkapcsoknak a helyükön kell maradniuk (a szállítás szerint), és csak egy pár csatlakozót kell csatlakoztatni az erősítőhöz. Kétvezetékes csatlakozásokhoz vagy kettős erősítés (jobbra fent), a sorkapcsokat el kell távolítani, és minden kapocspárt egymástól függetlenül kell csatlakoztatni az erősítőhöz vagy erősítőkhöz. A kéthuzalozás javíthatja az alacsony szintű részletek felbontását.

Győződjön meg arról, hogy a hangszóró pozitív kivezetései (piros gyűrűvel) az erősítő pozitív kimeneti csatlakozójához, a hangszóró negatív csatlakozói (fekete gyűrűvel) pedig mindig az erősítő negatív kimeneti csatlakozójához csatlakoznak. A helytelen csatlakoztatás nem okoz kárt, de gyenge sztereó képalkotást és a mélyhang elvesztését okozza. Mindig csavarja le teljesen a csavarokat a zörejek elkerülése érdekében.

4. Finomhangolás



A finomhangolás előtt győződjön meg arról, hogy a telepítésben minden csatlakozás megfelelő és biztonságos.

Ha távolabb helyezi a hangfalakat a faltól, általában csökken a mélyhangok hangereje. A hangfalak mögötti tér szintén hozzájárul a mély hangok beryomásának megteremtéséhez. Ellenkező esetben, ha a hangfalakat közelebb viszi a falhoz, megnő a mélyhangok hangereje.

Ha szeretné csökkenteni a basszus hangerejét anélkül, hogy távolabb mozdítaná a hangszórókat a faltól, illessze be a habdugókat, vagy a kevésbé erős basszuscsökkentés érdekében a habgyűrűket a csatlakozócsövekbe (fent). Ha a basszus egyenetlennek tűnik a frekvenciával, ez valószínűleg a hallgatási helyiség rezonancia üzemmódjainak köszönhető. Még a hangfalak helyzetében vagy a hallgatási pozícióban bekövetkezett kis változtatások is mélyreható hatást gyakorolhatnak arra, hogy ezek a rezonanciák hogyan hatnak a hangra. Próbálja meg változtatni a hallgatási pozíciót, vagy helyezze el a hangszórókat egy másik fal mentén. A nagyméretű bútorok jelenléte és elhelyezkedése szintén befolyásolhatja a rezonancia módokat.

Ha nincs alternatíva, beállíthatja a hangszórók alacsony frekvenciájú teljesítményét a mellékelt habdugók segítségével. A dugók két részből állnak, lehetővé téve a finomhangolást akár a külső, nagyobb átmérőjű darab külön-külön, akár a két rész együttes használatával. Kizárólag a külső, nagyobb átmérőjű habszivacs használatát kevésbé csillapítja a basszust, mint a teljes dugószerelevény.

Ha középen a hangképben nincs fókusz, próbálja meg közelebb mozgatni egymáshoz a hangszórókat, vagy befelé dönteni úgy, hogy a hallgatási pozíció előtti helyre mutassanak. Ha a hang túl erős, a szobában lévő lágy bútorok mennyiségének növelése (például nehezebb függönyök) segíthet a hang kiegyensúlyozásában. Ezzel szemben a lág y bútorok mennyiségének csökkentése segíthet a tompa hangon felvidítani.

A legigényesebb zenehallgatás érdekében távolítsa el a hangfal rácsokat úgy, hogy megfogja a szélüket, és óvatosan húzza ki őket a hangfaldobozból.

5. Bejárás

A hangsugárzó audio teljesítménye finoman változik a kezdeti hallgatási időszakban. Ha a hangfalat hideg környezetben tárolták, a meghajtóegységek csillapítóanyagainak és felfüggesztő anyagainak némi időbe telik, amíg helyreállnak a megfelelő mechanikai tulajdonságaik. A me g hajtóegység felfüggesztései is meglazulnak a használat első óráiban. A hangfal tervezett teljesítményének eléréséhez szükséges idő a korábbi tárolási körülményektől és a használat módjától függően változik. Útmutatóként legfeljebb egy hét, a hőmérsékleti hatások stabilizálására és 15 óra átlagos használat a mechanikai alkatrészekre, hogy elérjék a tervezett jellemzőket.

6. Utógondozás

A hangfaldoboz felületei általában csak portalanítást igényelnek. Javasoljuk, hogy puha mikroszálas kendőt használjon. Ha aeroszolos vagy más tisztítószert szeretne használni, akkor a tisztítószert a kendőre vigye fel, ne közvetlenül a termékre, és először egy kis felületen tesztelje, mivel egyes tisztítószerek károsíthatják a felületek egy részét. Kerülje a súroló hatású, savat, lúgot, ill antibakteriális szereket. Ne használjon tisztítószereket a meghajtóegységeken. Kerülje a meghajtóegységek megérintését, mert károsodást okozhat.

1. Rozpakowywanie

	Maskownica	Zatyczka z pianki	Gumowa nóżka (samoprzylepna)	Gumowa nóżka (przykręcana)	Kolce	Cokół	Klucz imbusowy	Śruby 45mm	Podkładki	Podkładki przeciw-swiszcząsowe
603 S3	1	1		4	4	1	1	4	4	4
606 S3 607 S3	2	2	8							
HTM6 S3	1	1	4							

Zawartość opakowania

Powyższa tabela przedstawia części składowe, które są zapakowane z produktem. W mało prawdopodobnym przypadku, gdy czegoś brakuje, skontaktuj się ze sprzedawcą, od którego kupiłeś głośniki.

Ochrona środowiska

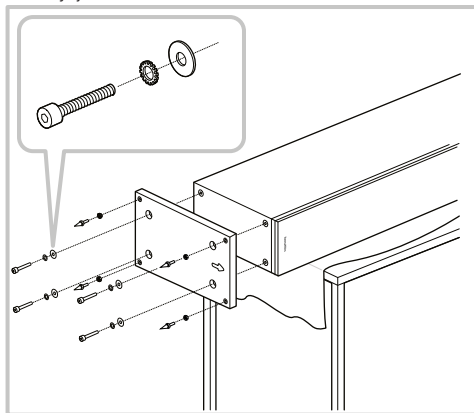
Ten produkt jest zgodny z międzynarodowymi dyrektywami, w tym między innymi:

- i. międzynarodową dyrektywą dotyczącą substancji niebezpiecznych (RoHS) w urządzeniach elektrycznych i elektronicznych
- ii. międzynarodową dyrektywą dotyczącą substancji chemicznych REACH
- iii. dyrektywą dotyczącą likwidacji sprzętu elektrycznego i elektronicznego (WEEE).

Skonsultuj się z lokalnymi władzami zajmującymi się usuwaniem odpadów, aby uzyskać wskazówki dotyczące prawidłowego recyklingu lub utylizacji tego produktu.

2. Pozycjonowanie

603 S3



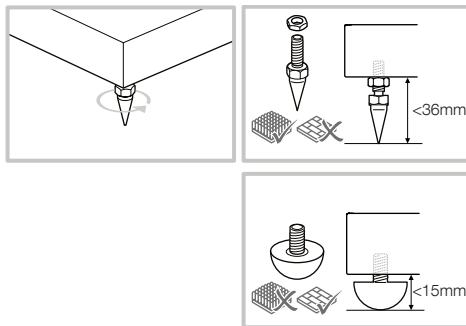
Instalacja głośnika 603 S3

603 S3 są przeznaczone tylko do montażu na podłodze. Aby zapewnić odpowiednią stabilność, zawsze montuj dostarczony cokół, a następnie upewnij się, że głośniki stoją stabilnie na podłodze za pomocą dostarczonych w zestawie kołców lub gumowych nóżek.

Cokół można przymocować podczas procesu rozpakowywania, postępując zgodnie z powyższymi ilustracjami lub schematami, które można znaleźć na górnej klapie kartonu.

Ostrzeżenie

Cokół MUSI być zawsze używany, z gumowymi nóżkami lub kołcami zamontowanymi w cokole. **NIE WOLNO** instalować gumowych nóżek czy kołców bezpośrednio do obudowy kolumny głośnikowej.

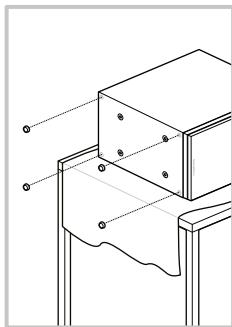


Ważna uwaga dotycząca bezpieczeństwa

Ostre kolce, nie dotykaj.

Kolce przeznaczone są do przekłuwania dywanu i opierania się napowierzchni podłogi. Najpierw nakręć nakrętki zabezpieczające nakolce na tyle wysoko, aby nakrętki unosiły ponad poziomem dywanu, gdy same kolce spoczywają na podłodze. Następnie wkręć kolce dokońca w gwintowaną wkładki w cokole. Jeśli obudowa głośnika kołysz się po umieszczeniu na podłodze, wykręć te kolce, które nie dotykają podłogi dopóki obudowa głośnika nie oprze się mocno i przestanie kołysać. Na koniec dokręć delikatnie nakrętki do podstawy za pomocą dostarczonego klucza, jednocześnie używając dołączonego pręciaka aby uniemożliwić obracanie się stopki z kolcem wraz z nakrętką. Po zoptymalizowaniu położenia obudowy głośnika dalsza regulacja i dopasowanie kołców może być łatwiejsze.

Jeśli nie masz dywanu i nie chcesz, aby kolce porysowały podłogę użyj jakiegos kawałka metalu wsadzając go pomiędzy kolce a podłogę (możesz do tego celu użyć np. monety) lub zamiast kołców użyj dołączonych do kolumn gumowych nóżek. Zamontuj gumowe nóżki iwypozycionuj kolumnę w ten sam sposób jak w przypadku kolcy.



606 S3 / 607 S3

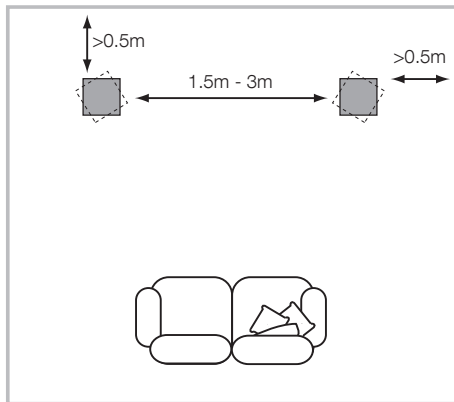
Głośniki 606 S3 oraz 607 S3 zostały zaprojektowane do zamontowania na dedykowanym standzie (FS-600 S3), ale mogą być postawione również na półce lub szafce. Należy jednak pamiętać, że takie ustawienie daje mniej możliwości optymalizacji działania głośnika. Jeśli musisz ustawić głośnik w miejscu innym niż stand, rekomendujemy użycie piankowych zatyczek (dołączone do głośników), aby zoptymalizować działanie portów (patrz Sekcja 4: Dostrajanie).

W każdym ustawieniu głośniki wysokotonowe powinny znajdować się na wysokości uszu słuchacza.

Informacja: Jeśli zamierzasz ustawić głośnik na półce sprawdź uprzednio czy półka jest w stanie udźwignąć ciężar głośnika i naklej 4 gumowe podkładki do spodu każdego głośnika.

HTM6 S3

W przypadku używania projektora z przezroczystym ekranem możesz ustawić głośnik centralny za ekranem, na jego środku. W innym przypadku najlepiej jest ustawić głośnik tuż nad lub pod ekranem/TV, w zależności od tego która pozycja znajduje się najbliższej poziomo z którego będzie prowadzony odsłuch. Postaraj się, aby przód głośnika znajdował się w tej samej płaszczyźnie co ekran TV. Najlepiej jest umieścić głośnik na solidnej szafce,



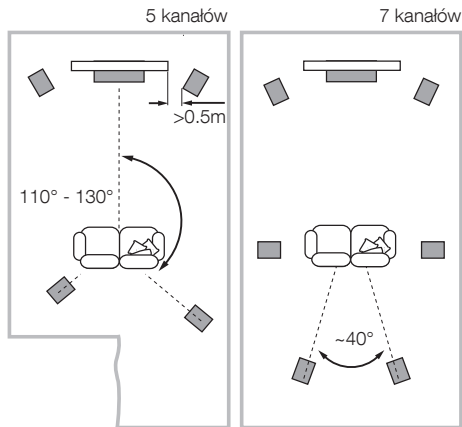
zawiesić go na uchwycie ściennym lub postawić na stabilnej podstawie. Jeśli zamierzasz postawić głośnik na szafce lub na półce razem z innym sprzętem A V naklej gumowe podkładki na spodzie kolumny. W pewnym stopniu będą one izolowały głośnik od wibracji.

Ustawienie głośników

Dopasowanie pozycji głośnika prawdopodobnie poprawi jakość odbioru dźwięku i zwykle warto to zrobić. Zarówno w systemach stereo jak i kina domowego postaraj się, aby bezpośrednie otoczenie każdego głośnika było podobne akustycznie. Na przykład jeśli jeden z głośników przylega do ściany a inny do miękkich zasłon lub mebli ogólna jakość dźwięku będzie prawdopodobnie niższa.

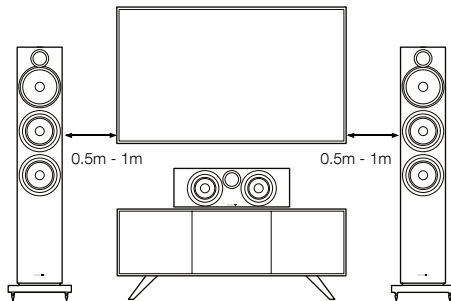
Konwencjonalne systemy stereo

Na początku głośniki powinny zostać ustawione w odległości od 1,5m do 3m od siebie w rogach trójkąta równobocznego, którego trzeci wierzchołek będzie stanowić miejsce odsłuchu. Głośniki powinny znajdować się w odległości ok. 0.5m od ściany (zarówno za głośnikami jak i po bokach, patrz rysunek powyżej).



Systemy kina domowego

Jeśli głośniki mają być użyte jako głośniki frontowe w zestawie kina domowego powinny znajdować się bliżej siebie w porównaniu do zestawu stereo, ponieważ zestawy surround rozszerzają pole dźwięku. Ustawienie głośników w odległości ok. 0,5m od boków telewizora pozwoli również na synchronizację dźwięku z obrazem. Tak jak w przypadku zestawów stereo głośniki powinny znajdować się w odległości przynajmniej 0,5m od ścian.

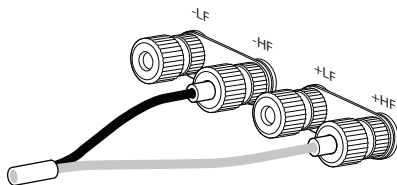


Wytwarzane pole magnetyczne

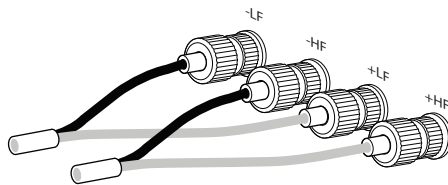
Głośniki wytwarzają pole magnetyczne działające również poza obudową kolumn. Zalecamy, aby urządzenia wrażliwe na takie pole (jak ekrany CRT, ekrany komputerów, dyski komputerowe, taśmy audio i video itp.) były trzymane przynajmniej 0,5 metra od głośników. Ekrany plazmowe oraz LCD i OLED nie są wrażliwe na takie pole.

3. Podłączenia

Połączenie konwencjonalne



Połączenie bi-wire

**Ważna uwaga dotycząca bezpieczeństwa**

Wszystkie połączenia należy wykonywać przy wyłączonym sprzęcie audio. Podczas normalnego użytkowania sprzętu audio dotykanie niez izolowanych zacisków głośnikowych lub przewodów może powodować nieprzyjemne odczucia. Terminale głośnikowe 600 S3 akceptują różne rodzaje zakończeń kabli: wtyki bananowe 4 mm, widełki 6 mm i 8 mm (1/4 cala i 5/16 cala) lub gołe przewody o średnicy do 4 mm (5/32 cala).

**Ważna uwaga dotycząca bezpieczeństwa**

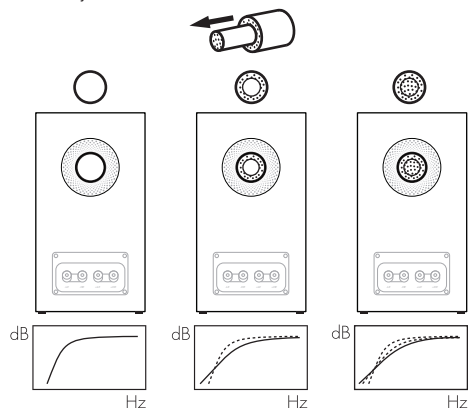
W niektórych krajach, zwłaszcza w Europie, używanie wtyków bananowych 4 mm jest uważane za potencjalne zagrożenie bezpieczeństwa, ponieważ mogą one zostać włożone do otworów w niezaslepionych gniazdach zasilających. Aby zachować zgodność z europejskimi przepisami bezpieczeństwa CENELEC, 4mm otwory na końcach zacisków są zablokowane plastikowymi kółkami. Jeśli używasz produktów w jakimkolwiek kraju, w którym obowiązują te warunki, powinieneś upewnić się, że jakiegokolwiek wtyki bananowe nie mogą być używane w niebezpieczny sposób przez dzieci lub inne niedoinformowane osoby. Plastikowe kółka można usunąć, jeśli chcesz użyć wtyków bananowych.

Poproś sprzedawcę o poradę przy wyborze kabla głośnikowego. Utrzymuj całkowitą impedancję poniżej maksimum zalecanego w specyfikacji głośnika i używaj kabla o niskiej indukcyjności, aby uniknąć tłumienia wysokich częstotliwości.

Na tylnym panelu głośnika znajdują się 2 połączone ze sobą pary gniazd głośnikowych. W przypadku konwencjonalnego podłączenia (rysunek powyżej z lewej strony) połączenia między parami gniazd powinny zostać na swoim miejscu, a ze wzmacniaczem powinna zostać połączona tylko jedna para gniazd. W przypadku podłączeń typu bi-wire lub bi-amplification (rysunek powyżej z prawej strony) połączenia między parami gniazd powinny zostać usunięte a każda para gniazd połączona ze wzmacniaczem osobno. Bi-wiring może zwiększyć przejrzystość detali dźwiękowych.

Upewnij się, że gniazda połączeniowe z czerwonym obramowaniem zostały połączone z gniazdami o dodatniej polaryzacji na wzmacniaczu a gniazda z czarnym obramowaniem z gniazdami o ujemnej polaryzacji na wzmacniaczu. Nieprawidłowe podłączenie będzie skutkowało pogorszeniem jakości dźwięku i utratą niskich tonów.

4. Dostrajanie



Przed dostrajaniem upewnij się, że wszystkie podłączenia są prawidłowe i bezpieczne

Odsunięcie kolumn od ściany zredukuje ogólny poziom niskich tonów. Przestrzeń za kolumnami pozwoli również na wytworzenie odpowiedniej głębi dźwięku. Przesunięcie kolumn bliżej ściany spowoduje efekt odwrotny: wzrośnie poziom basu. Jeśli chcesz zmniejszyć poziom niskich dźwięków bez konieczności odsuwania kolumn od ściany do portów basowych kolumn wetknij piankowe zatyczki lub dla mniejszej redukcji basów zewnętrzne pierścienie zatyczek (rysunek powyżej).

Jeśli niskie tony wydają się nierówne z częstotliwością dźwięku zwykle spowodowane jest to rezonansem wynikającym z ukształtowania pomieszczenia. Nawet minimalne zmiany ustawienia kolumn lub zmiany miejsca odsłuchu mogą mieć dobry wpływ na te zakłócenia. Spróbuj ustawić kolumny w różnych miejscach. Zmiana położenia większych mebli również może przynieść efekt.

Jeśli jednak nie masz możliwości zmiany położenia głośników użyj dołączonych do kolumn gąbek tłumiących. Pianki składają się z dwóch części każda i pozwalają na stopniowanie redukcji niskich tonów poprzez użycie tylko zewnętrznych pierścieni lub całych gąbek. Użycie tylko zewnętrznych pierścieni zredukuję basy w mniejszym stopniu niż użycie całych gąbek.

Jeśli centralny obraz jest nieostry, spróbuj zbliżyć głośniki do siebie lub ustawij je pod kątem do wewnątrz, tak aby wskazywały miejsce tuż przed pozycją odsłuchową. Jeśli dźwięk jest zbyt jasny, zwiększenie ilości miękkich mebli w pomieszczeniu (na przykład cięższe zasłony) może pomóc w zrównowazeniu dźwięku. I odwrotnie, zmniejszenie ilości miękkich elementów meblowych może pomóc rozjaśnić przytłumiony dźwięk.

Aby uzyskać najbardziej wyrafinowane odsłuchy, zdejmij maskownice, chwytając ich krawędzie i delikatnie wyciągając je z obudowy.

5. Początkowy okres eksploatacji

Działanie kolumn może delikatnie zmieniać się w początkowym okresie użytkowania. Jeśli kolumny były przechowywane w chłodnym miejscu, niektóre komponenty będą potrzebowały czasu, aby nabrać odpowiednich właściwości mechanicznych. Zawieszenie głośników również delikatnie się zmieni w ciągu pierwszych godzin użytkowania. Czas, jakiego potrzebuje kolumna na osiągnięcie optimum swoich możliwości będzie się różnił w zależności od sposobu przechowywania kolumn przed zakupem i sposobie użytkowania. Zwykle trwa to około tygodnia, aby ustabilizowały się czynniki temperaturowe i 15 godzin użytkowania, aby części mechaniczne osiągnęły swoje charakterystyki.

6. Pielęgnacja

Obudowa kolumn zazwyczaj wymaga tylko usunięcia kurzu. Zalecamy używanie miękkiej ściereczki z mikrofibry. Jeśli chcesz użyć aerozolu lub innego środka czyszczącego, rozpyl aerosol na szmatkę, a nie bezpośrednio na produkt. Najpierw sprawdź na małej powierzchni, czy środek czyszczący nie niszczy podłoża. Unikaj materiałów szorstkich i takich, które zawierają kwas, są zasadowe lub antybakteryjne. Plamy na pomalowanej powierzchni można usunąć za pomocą rozcieńczonego, nieperfumowanego mydła. Smugi można usunąć za pomocą środków do czyszczenia szyb i delikatnie przecierając szmatką. Nie stosuj środków czyszczących na głośniki. Unikaj dotykania głośników.

1. Kutu Açılımı

	Izgara	Sünger Tıpa	Lastik Ayak (kendinden yapışkanlı)	Lastik Ayak (vidalı)	Çivili Ayak	Kaide	Alyan Anahtar	45mm Vida	Düz Rondela	Sarsıntıya Dayanıklı Rondela
603 S3	1	1		4	4	1	1	4	4	4
606 S3 607 S3	2	2	8							
HTM6 S3	1	1	4							

Kutu İçeriği

Yukarıdaki tablo ürünle birlikte gelen bileşen parçalarını göstermektedir. Düşük ihtimalle de olsa herhangi bir parçanın eksik olması durumunda lütfen hoparlörleri satın aldığınız satıcıyla iletişime geçin.

Çevresel Bilgiler

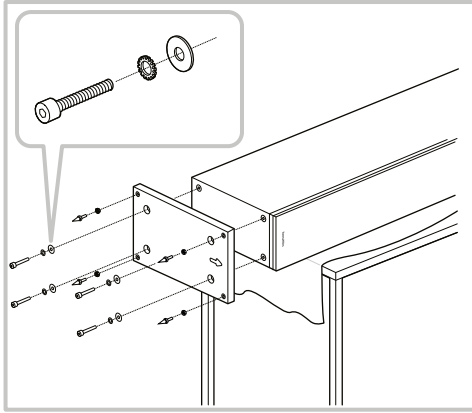
Bu ürün, elektrikli ve elektronik ekipmanlarda

- i. Tehlikeli Maddelerin Kısıtlanması (RoHS),
- ii. Kimyasalların Kaydı, Değerlendirilmesi, İzni ve Kısıtlanması (REACH) ve
- iii. Elektrikli ve Elektronik Ekipman Atıklarının bertarafı (WEEE) da dahil fakat bunlarla sınırlı olmamak üzere uluslararası direktiflere uygundur.

Bu ürünün düzgün bir şekilde nasıl geri dönüştürüleceği veya imha edileceğine dair öneriler için bulunduğunuz yerdeki atık imha kurumuna danışın.

2. Konumlama

603 S3



Hoparlör Kurulumu

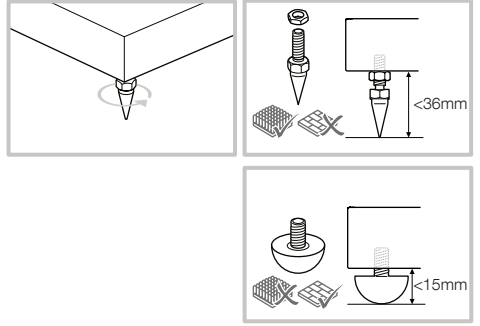
603 S3

603 S3 model hoparlörler sadece zemin üzerine kurulmak üzere tasarlanmıştır. Düzgün denge sağlamak için mutlaka temin edilen kaideyi monte edin ve ardından çivili veya lastik ayakları kullanarak hoparlörlerin zeminde sağlam bir şekilde durduğundan emin olun.

Kaideyi, parçaları ambalajdan çıkarırken yukarıdaki resimlere veya kutunun üst kapağındaki şemaya bakarak monte edebilirsiniz.

Uyarı

Kaidenin mutlaka lastik veya çivili ayaklar kaideye takılmış şekilde kullanılması GEREKİR. Lastik veya çivili ayakları doğrudan kabine TAKMAYIN.

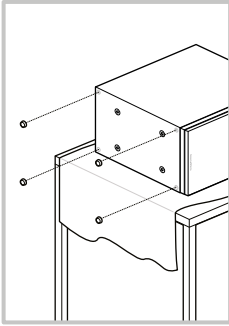


Önemli Güvenlik Uyarısı

Çiviler keskindir, dokunmayın.

Çivili ayaklar halıyı delip zemin yüzeyi üzerine oturacak şekilde tasarlanmıştır. İlk olarak kilitleme somunlarını çivilere, çiviler halının altındaki zemine oturmuş vaziyetteyken somunların halının biraz üzerinde durmasını sağlayacak kadar vidalayın. Daha sonra çivileri kaidedeki vidalı giriş yerlerine tam olarak vidalayın. Kabin zemine yerleştirildiğinde sarsılıyorsa, zemine temas etmeyen iki çiviyi kabin sarsılmadan sağlam bir şekilde durana kadar sökün. Son olarak, çivili ayağın dönmelerini önlemek için somunları hafifçe sıkarak altlığa sabitleyin. Çivili ayakların, hoparlör konumunun ideal hale getirilmesi sonrası takılması ve ayarlanması daha pratik olabilir.

Odada halı bulunmuyorsa ve zeminin yüzeyini çizmek istemiyorsanız çivi ile zemin arasına yerleştirmek için koruyucu bir metal disk (örneğin madeni bir para) veya temin edilen lastik ayakları kullanabilirsiniz. Lastik ayakları takın ve kabini çivili ayaklarla yapıldığı gibi düz hale getirin.



606 S3 / 607 S3

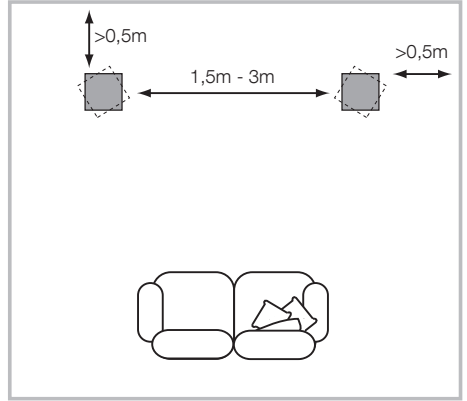
606 S3 ve 607 S3 model hoparlörler öncelikli olarak özel bir zemin standı (FS-600 S3) üzerine monte edilecek şekilde tasarlanmıştır, fakat bunlar tercih edilmesi halinde bir raf üzerine de yerleştirilebilir. Fakat bu durumda hoparlör performansının optimize edilmesi için yeterli esneklik sağlanamayacağına dikkate alınması gerekir. Hoparlörün rafa yerleştirilmesi gerekiyorsa port performansının optimize edilmesi için sünger tıpalarn (temin edilmiştir) kullanılmasını öneririz (bkz. 4. Bölüm: İnce Ayar).

Her iki kurulum şeklinde de hoparlör tweeter'larının normal dinleme pozisyonunuzda yaklaşık olarak kulak hizasında olmaları gerekir.

Not: Eğer bir raf kullanıyorsanız, rafın ürünün ağırlığını düzgün bir şekilde taşıyacak kapasitede olduğundan emin olun ve dört adet kendinden yapışkanlı lastik ayağı hoparlörün alt kısmına takın.

HTM6 S3

Akustik olarak şeffaf bir ekrana sahip bir projeksiyon televizyon kullanıyorsanız hoparlörü ekranın ortasının arkasında konumlayın. Aksi takdirde bir zemin standı, mobilya ünitesi veya duvar rafı kullanarak ve hoparlörün mümkün olduğunca kulak yüksekliğinde olmasını sağlayarak hoparlörü doğrudan ekranın altında veya



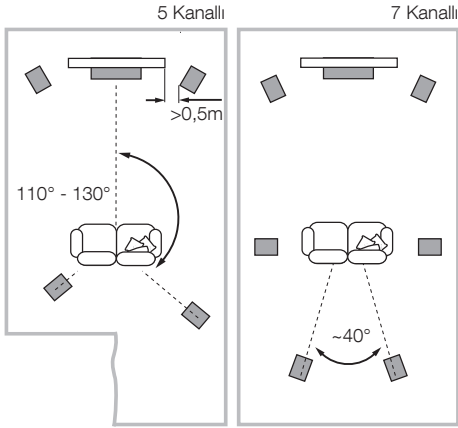
üzerinde konumlayın. Hoparlörün, diğer sesli ve görüntülü ekipmanlarla aynı raf veya sehpa üzerine yerleştirilmesi halinde dört adet kendinden yapışkanlı lastik ayağı hoparlörün altına sabitleyin. Bu ayaklar belirli bir miktarda titreşim yalıtımı sağlar.

Hoparlörün Konumlanması

Stereo veya ev sineması kurulumlarında her bir hoparlörün etrafının akustik açıdan birbirine benzer konumda olması sağlains. Örneğin hoparlörlerden birinin boş bir duvarın bitişiğinde olması, diğerinin ise yumuşak mobilya ve perdelerin bitişiğinde olması durumunda genel ses kalitesi ile stereo imajının bozulması muhtemeldir.

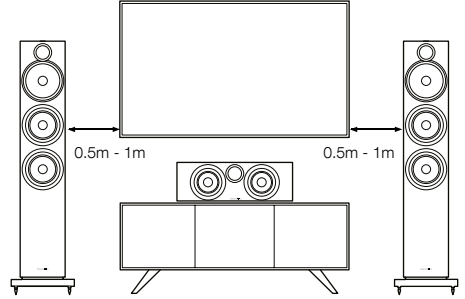
Geleneksel Stereo Sistemleri

Hoparlörlerin öncelikli olarak, üçüncü köşede dinleme alanı olmak üzere eşkenar bir üçgenin her iki köşesinde birbirinden 1,5 ila 3 metre mesafede konumlanması gerekir. Hoparlörler ile arkadaki ve varsa yandaki duvarlar arasında en az 0,5 metre boşluk bırakılması gerekir (yukarıdaki çizimde gösterildiği gibi).



Ev Sinema Sistemleri

Hoparlörlerin bir ev sinema sisteminin ön kanalları olarak kullanılması durumunda, çevresel ses kanalları ses imajını yayma eğiliminde olduğundan hoparlörlerin birbirine 2 kanallı ses sistemine göre daha yakın bir mesafede konumlanması gerekir. Hoparlörlerin ekranın her iki yanında yaklaşık 0,5 metre mesafede konumlanması aynı zamanda ses imajının görsel imajla orantılı olmasını da sağlar. Geleneksel stereo konumlamasında olduğu gibi hoparlörlerin ideal olarak yan duvarlardan en az 0,5 metre mesafede konumlanması gerekir.

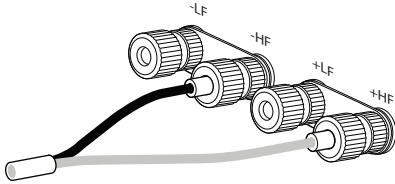


Manyetik Alan Paraziti

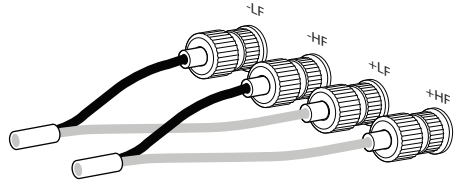
Hoparlörün sürücü üniteleri kabin sınırlarının dışına yayılabilen manyetik alan paraziti oluşturur. Manyetik açıdan hassas eşyaları (CRT televizyon ve bilgisayar ekranları, bilgisayar diskleri, ses ve video kasetler, manyetik şeritli kartlar ve benzeri cihazları) hoparlörden en az 0,5 metre uzakta tutmanızı öneririz. LCD, OLED ve plazma ekranlar manyetik alanlardan etkilenmezler.

3. Bağlantılar

Geleneksel Bağlantı



Çift Kablolu Bağlantı

**Önemli Güvenlik Uyarısı**

Tüm bağlantıların ses ekipmanı kapalıyken yapılması gerekir. Ses ekipmanı normal kullanımdayken yalıtımsız hoparlör terminallerine veya kablolarla dokunmak rahatsız edici bir hisse sebep olabilir. 600 S3 hoparlör terminalleri, 4 mm çapında banana kablo, 6 mm ve 8 mm çapında (1/4 inç ve 5/16 inç) kürek kablo veya 4 mm (5/32 inç) çapında çipkabl kablo olmak üzere çeşitli kablo sonlandırma tipleriyle uyumludur.

**Önemli Güvenlik Uyarısı**

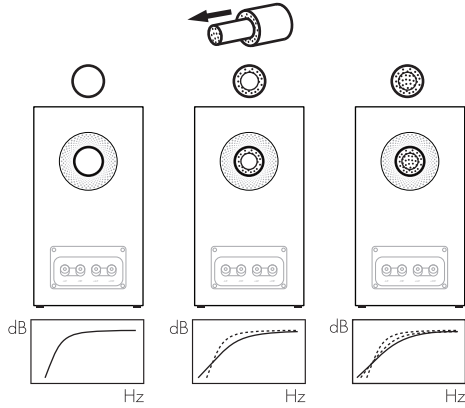
Delik muhafazası bulunmayan elektrik prizlerinin deliklerinin içine sokulabileceği için 4 mm çapındaki banana kablolar, özellikle Avrupa başta olmak üzere bazı ülkelerde potansiyel güvenlik tehlikesi olarak kabul edilmektedir. Avrupa CENELEC güvenlik yönetmeliğine uyum sağlamak amacıyla terminallerin ucunda yer alan 4 mm'lik delikler plastik pimlerle kapatılmıştır. Ürünleri bu koşulları geçerli olduğu bir ülkede kullanıyorsanız banana kabloların çocuklar veya konu hakkında bilgisi olmayan kişiler tarafından güvensiz bir şekilde kullanılmamasını sağlamanız gerekir. Banana kablo kullanmak isterseniz plastik pimleri çıkarabilirsiniz.

Hoparlör kablosu seçerken satıcınızdan tavsiye isteyin. Kablonun toplam empedansının hoparlörün teknik özelliklerinde önerilen maksimum düzeyin altında olmasını sağlayın ve yüksek frekans zayıflamasını önlemek için düşük endüktanslı bir kablo kullanın.

Hoparlörün arkasında iki adet bağlantılı terminal çifti bulunmaktadır. Geleneksel bağlantı için (üstte solda) terminal bağlantılarının yerinde (teslim edildiği şekilde) kalması ve sadece bir terminal çiftinin amfiye bağlanması gerekir. Çift kablolu veya çift amfli bağlantı için (yukarıda sağda) terminal bağlantılarının çıkarılması ve her bir terminal çiftinin bağımsız olarak amfiye veya amfilere bağlanması gerekir. Çift kablolu düşük seviyeli ayrıntı çözünürlüğünü artırabilir.

Hoparlördeki pozitif terminallerin (kırmızı halkalı) amfideki pozitif çıkış terminaline ve hoparlördeki negatif terminallerin (siyah halkalı) daima amfideki negatif çıkış terminaline bağlandığından emin olun. Hatalı bağlantı cihaza zarar vermez, fakat stereo imajının zayıflamasına ve bas sesinin azalmasına yol açar. Titreşimleri önlemek için her zaman terminal kapaklarını tam bir şekilde yerine vidalayın.

4. İnce Ayar



İnce ayar yapmadan önce kurulumdaki tüm bağlantıların doğru ve sağlam olduğunu kontrol edin.

Hoparlörlerin duvardan uzağa konumlanması genellikle bas sesini azaltır. Hoparlörlerin arkasındaki alan da işitsel bir derinlik izlenimi yaratmaya yardımcı olur. Bunun tersine, hoparlörlerin duvara yaklaştırılması bas sesini artırır. Hoparlörleri duvardan uzaklaştırmadan bas sesini azaltmak istiyorsanız port tüplerine sünger tıpa veya daha az şiddette bas azaltma için sünger halka takın (yukarıya bakın).

Eğer bas kulağa frekansla uyumsuz geliyorsa, bu çok büyük ihtimalle dinleme odasındaki rezonans özelliklerinden kaynaklanıyordur. Hoparlörün konumunda veya dinleme pozisyonunda yapılan ufak değişiklikler bile bu rezonansların sesi etkileme şeklinde önemli bir etkiye yol açabilir. Dinleme pozisyonunu değiştirmeyi veya hoparlörleri farklı bir duvarın yakınına konumlamayı deneyin. Büyük boyutlardaki mobilyaların mevcudiyeti ve konumu da rezonans özelliklerini etkileyebilir.

Başka bir alternatifiniz yoksa temin edilen sünger tıpalara kullanarak hoparlörlerinizin düşük frekans performansını ayarlayabilirsiniz. İki parça şeklindeki tıpalara, dıştaki büyük çaplı parça tek başına veya her iki parça birlikte kullanılarak belirli bir miktarda ince ayar yapılmasına imkan sağlar. Dıştaki büyük çaplı sünger parça tek başına kullanıldığında, çift tıpaaya kıyasla bas sesinde daha az zayıflama olur.

Merkezi ses imajında odak eksikliği fark edildiğinde hoparlörleri birbirine yaklaştırın veya dinleme pozisyonunun önündeki bir konuma bakacak şekilde çevirin. Eğer ses fazla parlak çıkıyorsa odadaki yumuşak mobilyaların sayısının artırılması (örneğin daha kalın perdelerin takılması) sesin daha dengeli olmasını sağlayabilir. Bunun tersine, yumuşak mobilya sayısının azaltılması mat sesin daha parlak hale getirilmesini sağlayabilir.

En sofistike dinleme deneyimi için ızgaraları kenarlarından kavrayıp hafifçe kabinden çekerek çıkarın.

5. Alıştırma

Hoparlörün performansı ilk dinleme döneminde çok hafif değişecektir. Hoparlörün soğuk bir ortamda depolanmış olması halinde sürücü ünitelerin sönümlleme ve süspansiyon malzemelerinin doğru mekanik özelliklerini geri kazanması biraz zaman alacaktır. Sürücü ünite süspansiyonları ayrıca kullanımın ilk saatlerinde gevşeyecektir. Hoparlörün hedeflenen performansına ulaşma süresi önceki depolama koşullarına ve nasıl kullanıldığına bağlı olarak değişir. Temel bir kural olarak sıcaklık etkilerinin stabilize olması için bir hafta ve mekanik parçaların amaçlanan tasarım özelliklerine ulaşması için ortalama 15 saat zaman tanıyın.

6. Bakım

Kabin yüzeylerinin genellikle sadece tozunun alınması gerekir. Yumuşak bir mikrofiber bez kullanmanızı öneririz. Sprey veya başka tür bir temizleyici kullanmak isterseniz, bazı temizlik ürünleri belirli yüzeylere zarar verebileceği için temizleyiciyi doğrudan ürün yerine beze uygulayın ve öncelikle ufak bir alanda deneme yapın. Aşındırıcı ya da asit, alkali veya antibakteriyel maddeler içeren ürünler kullanmayın. Sürücü üniteleri üzerinde temizleme maddeleri kullanmayın. Ünitelere zarar verebileceği için sürücü ünitelerine dokunmaktan kaçının.

1. 开箱

	格栅	泡沫塞	橡胶脚垫 (自粘)	橡胶脚垫 (用螺丝固定)	脚钉	基座	内六角 扳手	35毫米 螺丝	平垫圈	防震垫圈
603 S3	1	1		4	4	1	1	4	4	4
606 S3 607 S3	2	2	8							
HTM6 S3	1	1	4							

包装箱内的物品

上表列出了包装箱内的其他附件。如有遗漏，请联系销售扬声器的零售商。

环境信息

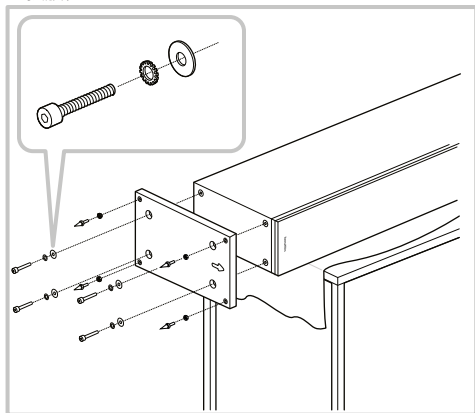
本产品符合各项国际指令，包括但不限于：

- i. 电子电气设备中有有害物质限制 (RoHS)
- ii. 《化学品注册、评估、许可和限制》(REACH)
- iii. 废弃电子电气设备(WEEE)的处理

关于如何正确回收或处理本产品，请咨询当地的废弃物处理机构。

2. 摆放位置

603 S3



扬声器安装

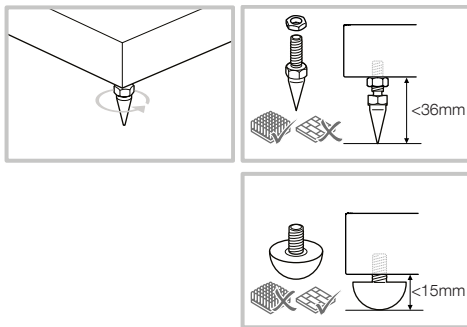
603 S3

603 S3仅适用于地面安装。为了获得适当的稳定性，请务必安装所提供的基座，然后确保使用所提供的钉脚或橡胶脚垫将扬声器牢固地立在地板上。

您可以在开箱过程中按照上面的图示或纸箱顶部的图示来安装基座。

警告

务必始终使用基座，并将橡胶脚垫或钉脚插入基座中。切勿将橡胶脚垫或钉脚直接插入箱体中。



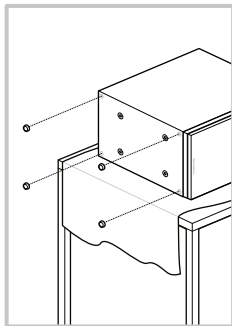
要安全说明

钉脚尖锐，请勿触摸

钉脚的设计是为了刺穿地毯，附着在地板表面。首先，将锁紧螺母拧到钉子上，留出足够的空隙，当钉子附在下面的地板上时，螺母刚好浮在地毯上面。然后，将钉子完全拧入基座的螺套中。若箱体放在地板上时出现摇晃，拧下不接触地板的两根钉子，直到箱体稳固，不再摇晃。

最后，用提供的扳手将螺母锁在底座上，并轻轻拧紧螺母，同时用提供的螺丝旋杆防止钉脚旋转。优化扬声器的摆放位置之后再安装和调整钉脚可能更方便。

如果没有地毯，为了避免划伤地板表面，可以在钉子和地板之间使用一个保护性的金属垫（可以是硬币），或者使用提供的橡胶脚垫。装上橡胶脚垫，用处理钉脚相同的方式将柜子放平。



606 S3 / 607 S3

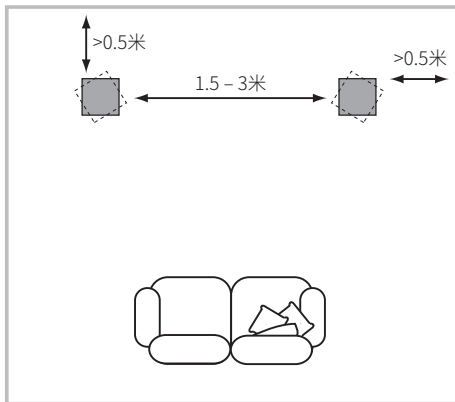
606 S3和607 S3主要旨在安装在专用落地支架(FS-600 S3)上,但也可以放在支架上。不过,应该注意的是,这样降低了优化扬声器性能的灵活性。如果必须使用支架,我们建议使用泡沫塞子(包装里有提供)来优化导向孔性能(参见第4节:微调)。

这两种安装情况下,在您通常聆听的位置,扬声器的高音单元应该与您的耳朵基本持平。

注:如果使用支架,请确保支架足够结实,能够支撑重量,并将四个自粘橡胶脚垫放在在扬声器的下面。

HTM6 S3

如果使用带有透声幕的投影幕布,请将扬声器放在屏幕中心的后面。否则,请使用落地支架、家具或壁架将其置于屏幕的正下方或上方,确保扬声器尽可能接近耳朵的高度。如果扬声器放在支架上或与其他视听设备共用的机架上,请将四个自粘橡胶脚垫固定在扬声器的底座上,可起到一定的防震功能。

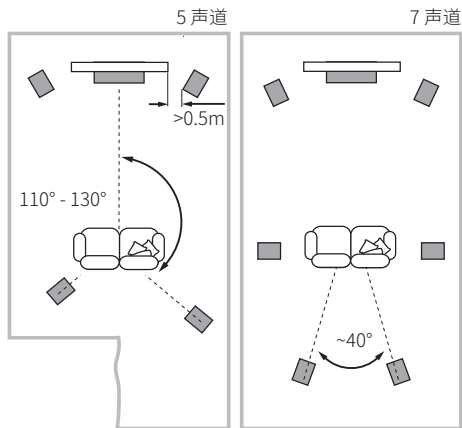


扬声器摆放位置

在立体声或家庭影院安装中,尽量确保每个扬声器的周围环境具有相似的声学特性。例如,如果一个扬声器毗邻光秃秃的墙壁,而另一个则毗邻柔软的家具和窗帘,那么整体音质和立体声图像都可能受到影响。

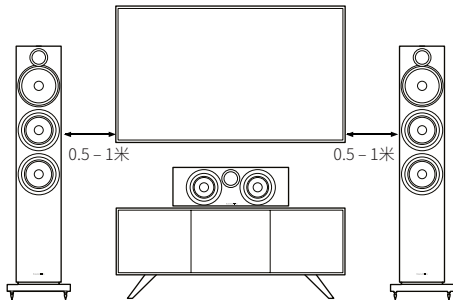
传统立体声系统

首先,两个扬声器应放在一个等边三角形的两个角上,相隔1.5-3米,第三个角是聆听区。扬声器应放置在距离后墙和任何侧墙至少0.5米的位置(如上图所示)。



家庭影院系统

如果扬声器要用于家庭影院系统中的前置声道，则其距离应该比2声道音频更近，因为环绕声道往往会扩大图像。将扬声器放置在距离屏幕两侧约0.5米的范围内，也有助于保持声音图像与视觉图像的比例一致。与传统的立体声扬声器摆放位置一样，扬声器最好距离任何侧墙至少0.5米远。

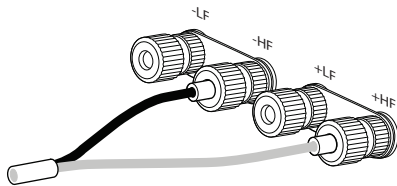


杂散磁场

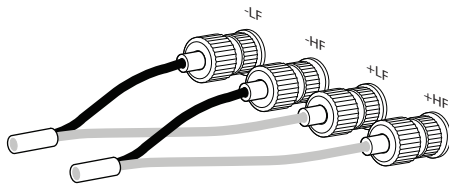
扬声器驱动单元产生的杂散磁场超出了箱体的界限。我们建议您将对磁敏感的物品（CRT电视和计算机屏幕、计算机光盘、音频和视频磁带、刷卡等）放在距离扬声器至少0.5米的地方。LCD、OLED和等离子屏幕不受磁场的影响。

3. 连接

传统连接



双线分音连接

**要安全说明**

所有连接都应在关闭音频设备的情况下进行。当使用正常操作的音频设备时，触摸未绝缘的扬声器端子或接线可能会导致不适。600 S3的扬声器端子接受各种电缆端口：4毫米香蕉插头，6毫米和8毫米（1/4英寸和5/16英寸）铲形插头或直径在4毫米（5/32英寸）以内的裸插头。

**要安全说明**

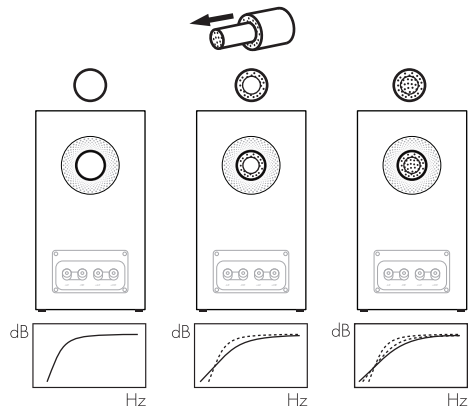
在某些国家，尤其是欧洲国家，使用4毫米香蕉插头被认为具有安全危险，因为它们可以用于插入无遮蔽的电源座插孔。为了遵从欧洲电工标准化委员会CENELEC的安全规定，接线端上的4毫米孔由塑料插脚封闭。如果您在任何执行这种规定的国家内使用这些产品，请确保儿童或其他不知情人士勿以危险的方式使用香蕉插头。如要使用香蕉插头，拔掉塑料销即可。

在选择扬声器接线时，请向经销商咨询。总电阻抗应低于扬声器规格中所建议的最大值，并使用低电感的接线，以避免高频衰减。

每台扬声器的背部均有两对插座，可用于双线连接。对于传统连接（左上图），端子链接应保持原位（即交付时的状态），只有一对端子连接到功放上。对于双线连接或双功放（右上图），应拆除端子链接，并将每对端子连接到功放。对于双线连接或双功放（右上图），应移除端子链接，并将每对端子独立地连接到功放上。双线连接可以提高低电平细节的分辨率。

连接时请确保将扬声器的正极端（配有红色环）连接到放大器的正极输出端，而且扬声器的负极端（配有黑色环）保持连接到放大器的负极输出端。错误连接虽然不会造成损坏，但会导致劣质立体声像效果及损失低音。请务必将插座盖锁紧以避免嘎嘎作响。

4. 微调



在微调前，确保安装中的所有连接正确且安全。

一般来说，把扬声器移离墙壁可降低低音。扬声器后的空间有助于创造出一种听觉上的深度感。相反，把扬声器移近墙壁则可加重低音。如果您想在不改变扬声器与墙壁距离的情况下降低低音音量，请在端口管中塞入泡沫塞或低音降低效果稍弱的泡沫环（见上图）。

如果低音的频率不均衡，这很可能是因为试听室的谐振模式引起的。扬声器位置或倾听位置很小的改变都可以使谐振对声音的效果产生巨大影响。设法移动试听的位置或者将扬声器放在不同的墙壁旁边。大件家具的存在及其位置也会影响谐振模式。

如果没有其他选择，您可以使用提供的泡沫塞来调整扬声器的低频性能。该塞子是一个两件式部件，允许一定程度的微调，既可以单独使用外层大直径部分，也可以将两个部分一起使用。仅使用外部大直径泡沫部分，则低音衰减小于使用完整的泡沫塞。

假如中心图像缺少焦点，可试着拉近扬声器彼此之间的距离，或者使其向内成一个角度，这样就可以正对着试听的位置。如果音质太过明快，则在房间内增加软性的陈设品（如较重的窗帘）可以帮助平衡音质。相反，在房间内减少软性的陈设品可以使沉闷的音质变得明快。

要使声音层次更清晰，请抓住面网的边缘，轻轻向箱体外拉以将其移除。

5. 磨合

在初始试听阶段,扬声器的性能会发生细微变化。如果扬声器被安装在较冷的环境下,驱动单元的阻尼复合组件和悬挂材料会需要一些时间来恢复其正确的机械性能。驱动单元的悬挂部分也会在最初使用的几小时内松动。使扬声器达到理想性能状态的时间将因以前的储存条件和使用方法而有所变化。作为使用指引,可以用一周时间来稳定温度的影响,或者用平均使用15小时的时间来使机械部分达到理想的设计性能。

6. 保养

箱体表面通常仅需要除尘。建议使用产品随附的微纤维软布。如果想要使用喷雾剂或其它清洁剂,请将清洁剂用在布块上,不要直接喷到产品上,并且先在一小块面积上试用,因为有些清洁产品可能会损坏表面。请勿使用具有粗糙产品或包含酸、碱或抗菌剂的产品。请勿对驱动单元使用清洁剂。请避免触摸驱动单元,因为可能导致损坏。

1. 開箱

	網罩	泡沫塞	橡膠腳(自粘)	橡膠腳墊 (旋入式)	釘腳	底座	六角扳手	45mm 螺絲	平墊圈	防震墊圈
603 S3	1	1		4	4	1	1	4	4	4
606 S3 607 S3	2	2	8							
HTM6 S3	1	1	4							

箱內清單

上表說明了隨產品包裝的組件。萬一缺少任何東西，請聯繫您購買揚聲器的零售商。

環境信息

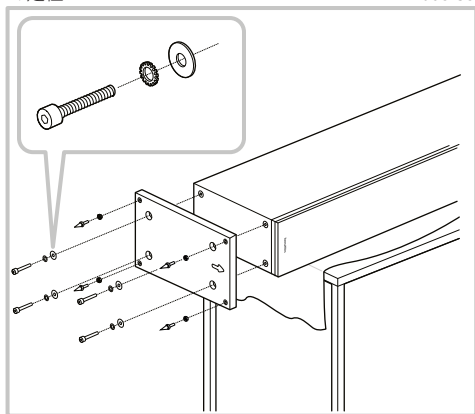
本產品符合國際指令，包括但不限於：

- i. 電氣和電子設備中有毒物質 (RoHS) 的限制，
- ii. 註冊、評估、授權和限制化學品 (REACH)
- iii. 廢物電氣和電子設備 (WEEE) 的處置。

有關如何正確回收或處置本產品的指導，請諮詢您當地的廢物處理機構。

2. 定位

603 S3

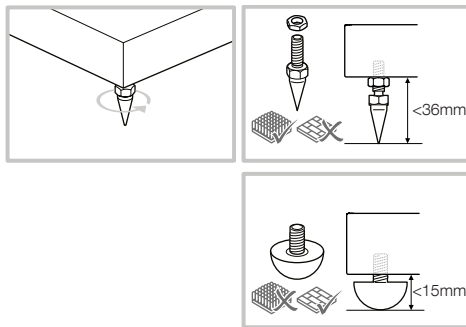
**揚聲器安裝****603 S3**

603 S3只能安裝在地上。為了獲得適當的穩定性，請保持安裝提供的底座，然後使用提供的釘腳或橡膠腳確保揚聲器 牢固地站立在地上。

您可以在開箱過程中按照上圖或紙箱頂部翻蓋上的圖示安裝底座。

警告

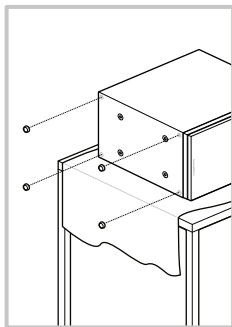
必須保持使用底座，將橡膠或釘腳插入底座。請勿將橡膠或釘腳直接插入箱體。

**重要安全須知**

尖銳釘腳，請勿觸摸。

釘腳設計用於刺穿地毯並擱在地板表面上。最初，將鎖緊螺母擰到釘子上，以便在釘子放在地板面時，螺母只足夠剛好在地毯上。然後，將長釘完全擰入底座的螺紋嵌件中。如果箱體放在地板上時會晃動，請擰下兩個不接觸地板的釘子，直到箱體穩固放置而不會晃動。最後，將螺母鎖定在底座上，並輕輕擰緊螺母以防止釘腳旋轉。優化揚聲器定位後，安裝和調整 釘腳可能會更方便。

如果沒有地毯並且您希望避免刮傷地板表面，請在釘子和地板之間使用保護性金屬盤（也許是硬幣），或使用隨附的橡膠腳墊。安裝橡膠腳並以與釘腳相同的方式調平音箱。



606 S3 / 607 S3

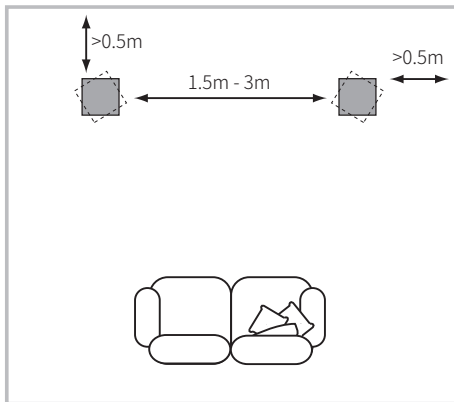
606 S3 和 607 S3 主要設計用於安裝在專用腳架 (FS-600 S3) 上，但如果願意，也可以放在書架上。但是，應該注意的是，這在優化揚聲器性能方面提供的靈活性較小。如果必須使用書架放置，我們建議使用泡沫塞 (已提供) 來優化導孔性能 (參見第 4 節: 微調)。

在這兩種安裝情況下，揚聲器的高音揚聲器應該在您通常的聆聽位置大約在耳朵的高度。

注意：如果使用牆架，請確保其足夠堅固以適當支撐重量，並將四個自粘橡膠腳安裝到揚聲器底部。

HTM6 S3

如果使用帶有透聲屏幕的投影電視，請將揚聲器放在屏幕中央的後面。否則，使用落地支架、家具或掛壁架將其直接放置在屏幕下方或上方，確保揚聲器盡可能靠近耳朵高度。如果要將揚聲器放置在架子上或與其他 AV 設備共用的機架中，請將四個自粘橡膠腳固定到揚聲器的底部。它們提供一定程度的振動隔離。

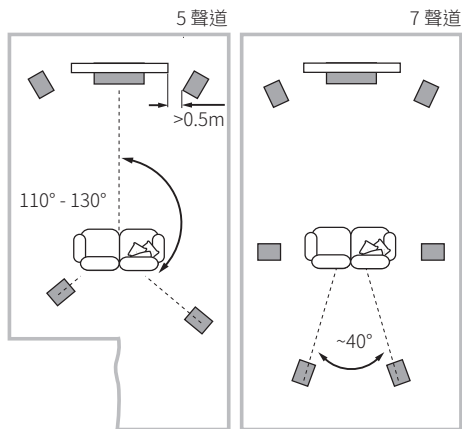


揚聲器定位

在立體聲或家庭影院安裝中，盡量確保每個揚聲器的周圍環境在聲學特性上相似。例如，如果一個揚聲器靠近光滑的牆壁，而另一個揚聲器靠近柔軟的家具和窗簾，則整體音質和立體聲圖像都可能受到影響。

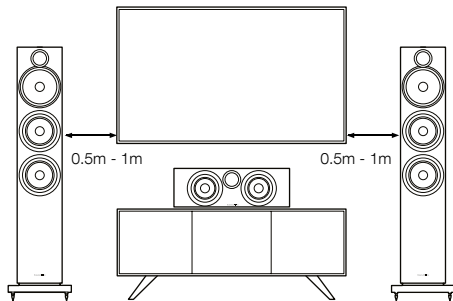
傳統的立體聲系統

首先，揚聲器應放置在一個等邊三角形的兩個角處，相距 1.5m 到 3m 之間，該等邊三角形由第三個角處的收聽區域構成。揚聲器應放置在距離背面和任何側壁至少 0.5m 的位置 (如上圖所示)。



家庭影院系統

如果將揚聲器用於家庭影院系統中的前置聲道，它們應該比用於 2 聲道音頻更靠近，因為環繞聲道往往會擴大聲音圖像。將揚聲器放置在距屏幕兩側約 0.5m 的範圍內也有助於保持聲像與視覺圖像成比例。與傳統的立體聲定位一樣，理想情況下，揚聲器應距離任何側壁至少 0.5m。

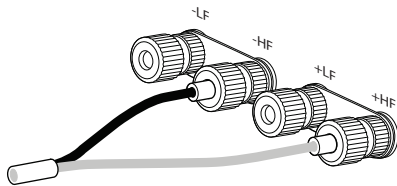


雜散磁場

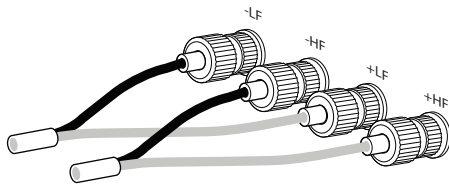
揚聲器驅動單元會產生延伸到箱體邊界之外的雜散磁場。我們建議您將磁性敏感物品 (CRT 電視和電腦屏幕、電腦光盤、錄音和錄像帶、刷卡等) 與揚聲器保持至少 0.5m 的距離。LCD、OLED 和等離子屏幕不受磁場影響。

3. 連接

常規連接



雙線連接

**重要安全須知**

所有連接都應在關閉音頻設備的情況下進行。在正常操作中使用音頻設備時，觸摸未絕緣的揚聲器端子或接線可能會導致不舒適的感覺。600 S3 揚聲器接線端接受多種音箱線接頭：4 毫米香蕉插頭、6 毫米和 8 毫米 (1/4 英寸和 5/16 英寸) 叉形接頭，或直徑達 4 毫米 (5/32 英寸) 的裸線。

**重要安全須知**

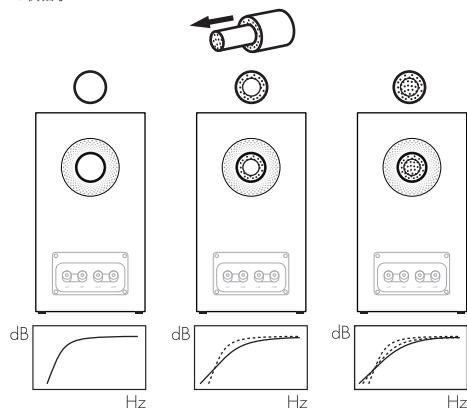
在某些國家，尤其是歐洲國家，使用 4 毫米香蕉插頭被認為存在潛在的安全隱患，因為它們可能會插入未被堵住的電源插座的孔中。為了符合歐洲 CENELEC 安全法規，接線端子末端的 4mm 孔被小塑料塞堵住。如果您在適用這些條件的任何國家/地區使用產品，您應確保兒童或其他不知情的人士不得以不安全的方式使用任何香蕉插頭。如果您想使用香蕉插頭，可以移除塑料塞。

選擇揚聲器接線時請諮詢經銷商。將其總阻抗保持在揚聲器規格中推薦的最大值以下，並使用低電感接線以避免高頻衰減。

揚聲器背面有兩對連接的端子。對於常規連接 (左上圖)，端子連接應保持在原位 (交付時)，並且只有一對端子連接到放大器。對於雙線連接或雙放大 (右上方)，應移除端子鏈接，並將每對端子獨立連接到一個或多個放大器。雙線可以提高低音量細節的分辨率。

確保揚聲器 (帶紅環) 的正極端子連接到放大器的正極輸出端，揚聲器 (帶黑環) 的負極端子連接保持連接到放大器的負輸出端。不正確的連接不會導致損壞，但會導致立體聲成像不佳和低音損失。保持將端子蓋完全擰下，以防止發出嘎嘎聲。

4. 微調



在進行微調之前，請確保安裝中的所有連接正確且牢固。

將揚聲器遠離牆壁通常會降低低音音量。揚聲器後面的空間也有助於營造聽覺印象的深度。相反，將揚聲器移近牆壁會增加低音音量。如果您想在將揚聲器移離牆壁較遠的情況下降低低音音量，請安裝泡沫塞，或者，對於不太嚴重的低音減少，請安裝端口管中的泡沫環（上圖）。

如果低音在頻率上看起來不均勻，這很可能是由於聽音室中的共振造成的。即使是揚聲器位置或聆聽位置的微小變化，也會對這些共振如何影響聲音產生深遠的影響。嘗試移動聆聽位置或將揚聲器放置在另一方向的牆上。大件家具的存在和位置也會影響共振模式。

如果沒有替代方案，您可以使用隨附的泡沫塞調整揚聲器的低頻性能。泡沫塞是一個兩件式部件，允許使用單獨的較大直徑的外部部件或兩個部件一起使用，以進行不同程度的調節。與完整的泡沫塞組件相比，僅使用外部較大直徑的泡沫件將提供更少的低音衰減。

如果中央結像缺乏焦點，請嘗試將揚聲器靠得更近或向內傾斜，使它們指向聆聽位置正前方的位置。如果聲音太亮，增加房間內軟裝的數量（例如較重的窗簾）可能有助於平衡聲音。相反，減少軟裝飾的數量可能有助於使沉悶的聲音變得亮麗。

對於最挑剔的聆聽，請抓住面網邊緣並輕輕將其從箱體中拉出，從而將其取下。

5. 運行磨合

在最初的收聽期間，揚聲器的性能會發生微妙的變化。如果揚聲器存放在寒冷的環境中，驅動單元的阻尼化合物和懸掛材料將需要一些時間才能恢復其正確的機械性能。在使用的最初幾個小時內，驅動單元的懸架也會鬆動。揚聲器達到其預期性能所需的時間將根據之前的存儲條件和使用方式而有所不同。作為指引，請允許長達一周讓溫度影響穩定下來，平均使用 15 小時以使機械部件達到其預期的設計特性。

6. 維護

箱體表面通常只需要除塵。我們建議您使用柔軟的超細纖維布。如果您想使用噴霧劑或其他清潔劑，請將清潔劑塗抹在布上，而不是直接塗抹在產品上，並先小面積測試，因為某些清潔產品可能會損壞某些表面。避免使用具有磨蝕性或含有酸、鹼或抗菌劑。不要在驅動單元上使用清潔劑。避免接觸驅動單元，否則可能會造成損壞。

1. 開梱

	グリル	フォーム プラグ	ゴム足 (粘着式)	ゴム足 (ねじ込み式)	スパイク	台座	六角レ ンチ	45mm ネジ	平ワッシ ヤー	菊座ワッシ ヤー
603 S3	①	①		④	④	①	①	④	④	④
606 S3 607 S3	②	②	⑧							
HTM6 S3	①	①	④							

内容物

上の表は、本製品に同梱している部品の一覧です。方が一、足りないものがございましたら、お買い上げの販売店にお問い合わせください。

環境関連情報

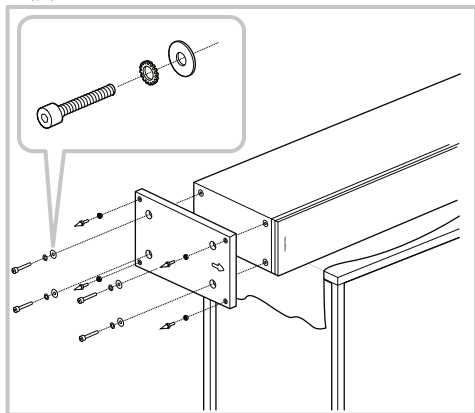
本製品は以下を含む国際指令に準拠しています。

- i. 電子・電気機器における特定有害物質の使用制限 (RoHS)
- ii. 化学物質の登録、評価、認可および制限 (REACH)
- iii. 廃電気電子機器指令 (WEEE)

本製品の適切なりサイクルまたは処分方法の指針については現地の廃棄物処理当局にお問い合わせください。

2. 設置

603 S3



スピーカーの設置

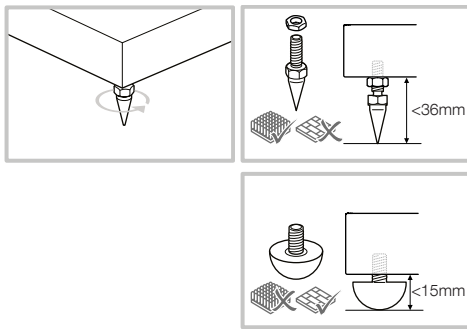
603 S3

603 S3は床置き専用です。適切な安定性を得るために、必ず付属の台座を取り付けてください。そして付属のスパイクまたはゴム足を取り付け、スピーカーが床にしっかりと自立していることを確認してください。

上の図またはカートンの上部フラップの図に従って、開梱中に台座を取り付けることができます。

警告

台座は、必ずスピーカーに取り付けて使用してください。ゴム足やスパイクは直接キャビネットに取り付けず、台座に取り付けて使用してください。

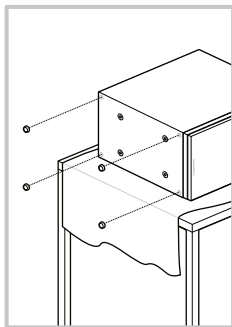


重要 安全上の注意

スパイクの先端は鋭利になっていますので、触れないでください。

スパイクは、カーペットを買い床面に直接設置するように設計されています。最初にロックナットをスパイクにねじ込み、スパイクを床に立てたときにナットがカーペットのすぐ上にくる程度に調整します。その後、スパイクを台座のネジ穴に完全にねじ込みます。キャビネットを床に置いたときに安定せず揺れてしまう場合には、床に接していない2本のスパイクを、キャビネットが揺れずにしっかりと自立するまで緩めてください。最後に、ナットが台座に触れるまで回転させ、スパイクが回転しないように軽く締め付けます。スピーカーを最適な場所に設置した後に、スパイクの取り付けと調整を行うことをおすすめします。

カーペットを敷いておらず、床面を傷つけたくない場合には、スパイクの下に床面を保護するための金属ディスク(コインなど)を挟むか、付属のゴム足を使用します。ゴム足を取り付けて、スパイクと同じ方法でキャビネットが水平になるように調整してください。



606 S3 / 607 S3

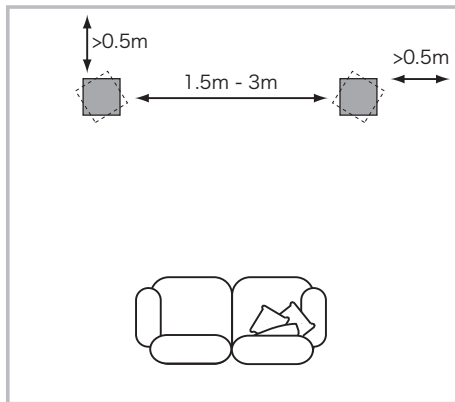
606 S3および607 S3は主に専用のフロアスタンド (FS-600 S3) に取り付け使用するように設計されていますが、棚に置いて使用することもできます。ただしその場合には、スピーカーのパフォーマンスを最適化するための調整の自由度は低くなります。棚に設置する際はポートの性能を最適化するために、付属のフォームプラグを使用することをお勧めします(「4. 微調整」を参照)。

上記いずれの設置方法においても、スピーカーのツイーターの位置を耳の高さに合わせる必要があります。

注：棚に設置する場合はスピーカーの重量を支えるのに十分な強度があることを確認して、4つの粘着式ゴム足をスピーカーの下面に取り付けます。

HTM6 S3

プロジェクターと音を透過させるスクリーンを使用する場合は、スピーカーをスクリーンの中央後方に配置してください。それ以外の場合はフロアスタンド、家具、壁の棚のいずれかを使用して、スクリーンの真下または真上にスピーカーを設置し、スピーカーができるだけ耳の高さに近くなるようにします。スピーカーを棚や他のAV機器と共有するラックに設置する場合は、4つの粘着式ゴム足をスピーカーの底面に貼り付けてください。これによりある程度の防振効果が得られます。

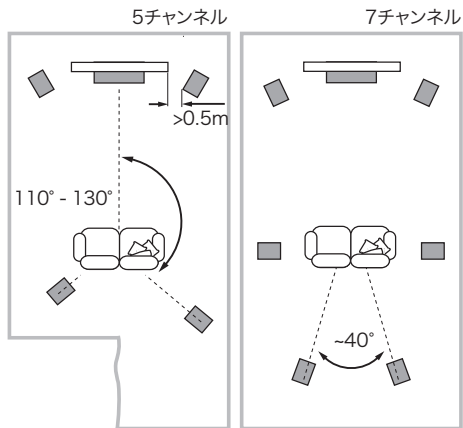


スピーカー設置位置

ステレオ又はホームシアターのどちらの場合でも、スピーカーの設置はそれぞれのスピーカーの設置環境が、音響的特性において同じになるように行ってください。例えば片方のスピーカーが壁のすぐ近くに設置され、もう一方のスピーカーが軟らかい家具やカーテンの近くに設置されたとします。このような場合には、総合的なサウンドクオリティおよびステレオイメージの両方が損なわれることになります。

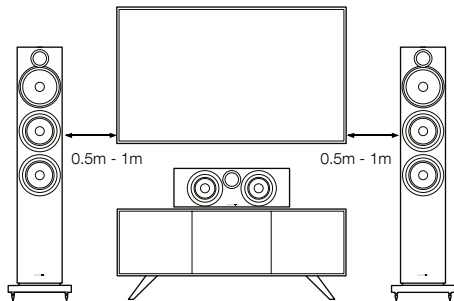
従来のステレオシステム

最初に、左右のスピーカーを1.5mから3m離して設置し、次に左右のスピーカーがリスニングポジションを頂点とした2等辺三角形の位置になるように設置します。スピーカーは、背面および側壁から少なくとも0.5m離して設置する必要があります(上の図を参照)。



ホームシアターシステム

ホームシアターシステムのフロントチャンネルにこのスピーカーを使用する場合は、サラウンドチャンネルが空間の広がり表現するため、2チャンネルオーディオの場合よりも狭い間隔で設置してください。また、スクリーンの側面から約0.5m以内にスピーカーを配置すると、サウンドと映像のスケールが一致しやすくなります。従来のステレオ配置と同様、スピーカーは側壁から0.5m以上離すのが理想的です。

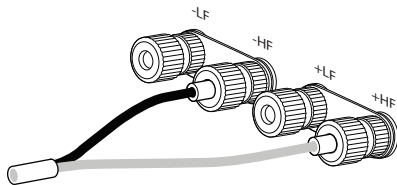


漏洩磁界

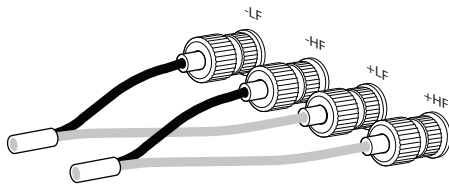
スピーカーのドライヴユニットは、キャビネットを越えて磁界を発生させます。磁力に反応しやすい物品(ブラウン管テレビやコンピューターのモニター、フロッピー・ディスク、オーディオ/ビデオ・テープ、キャッシュ・カード類など)はスピーカーから少なくとも0.5mは遠ざけておいてください。液晶テレビや有機ELディスプレイやプラズマテレビは漏洩磁界に影響されません。

3. 接続

フルレンジ接続



パイワイヤ接続



重要な安全上の注意

すべての接続は、オーディオ機器の電源をオフにして行う必要があります。電源を入れたままでの操作でオーディオ機器の結線をする場合、絶縁されていないスピーカー端子に触れたり、配線したりすると、不快な感覚が生じることがあります。600 S3のスピーカー端子はさまざまな端末処理のケーブルを接続することができます。4mm バナナプラグ、6mm および8mm (1/4 インチおよび5/16 インチ) スペードプラグ、または直径最大 4mm (5/32インチ) までの裸線などです。



重要な安全上の注意

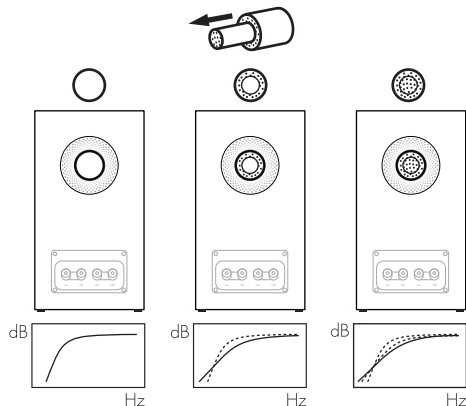
特にヨーロッパ諸国などの一部の国では、4mmバナナプラグは、シャッターのない電源ソケットの穴に挿入される可能性があるため、潜在的に安全上の危険があると考えられています。欧州のCENELEC 安全規則に準拠するため、端子の先端の4mmの穴はプラスチック・ピンで塞がれています。これらの条件が適用される国でこの製品を使用する場合は、子供や知識のない人物が危険な方法でバナナプラグを使用できないようにしてください。バナナプラグを使用する場合は、プラスチックピンを取り外してください。

スピーカー・ケーブルを選ぶ際には販売店に問い合わせてください。総インピーダンスはスピーカーの仕様で推奨される最大値より低くし、低インダクタンス・ケーブルを用いて高音域が減衰しないようにしてください。

スピーカーの裏に、リンクされたターミナルが 2 ペアあります。フルレンジ接続 (左上図) を行う場合、ターミナルリンクは所定の位置 (配送された状態) に残し、一方のペアのターミナルのみアンプに接続された状態にします。パイワイヤ接続あるいはパイアンプ (右上図) を行う場合、ターミナルリンクを取り外し、ターミナルのペアをアンプにそれぞれ独自に接続する必要があります。パイワイヤ接続を行うと、低域のディテールの解像度が向上します。

スピーカーのプラス端子 (赤のリング) はアンプのプラス 出力端子に、スピーカーのマイナス端子 (黒のリング) はアンプのマイナス出力端子に確実に接続してください。誤った接続をしても、損傷には至りませんが、不自然なステレオイメー ジや低音不足の原因となります。ガタつきを防ぐため、端子キャップは必ず完全にねじ込んでください。

4. 微調整



ファインチューニングの前に、もう一度全ての設置と接続が正しく且つ安全に行われているか確認して下さい。

一般的に壁からスピーカーを遠ざけると低音域の量が少なくなり、スピーカーの後ろにスペースをつくることによって、音場の奥行き感を得ることができます。逆に言えばスピーカーを壁に近づけることによって低音域のボリュームを増やすことができます。壁からの距離を変えずにスピーカーに低音域のふくらみを低減させたい場合には、スピーカーのバスレフポートにフォームプラグ挿入してみてください。また少し低音域を減少させたい場合はフォームリングをバスレフポートに挿入して下さい。フォームプラグ、又はフォームリングの使用方法は上図を参照してください。

低音域の周波数特性に乱れがあると感じられる場合は、部屋の共振モードが原因である可能性が高いと思われます。スピーカーの位置やリスニングポジションをわずかに動かすだけで、このような共振によるサウンドへの影響に大きな変化が起こることがあります。リスニングポジションを変えるか、可能であればスピーカーを異なる壁に沿って配置してみてください。また共振モードは、大きな家具の配置にも影響を受けます。

他に方法がない場合は、付属のフォームプラグを使ってスピーカーの低音域特性を調整することができます。プラグは2つのパーツで構成されており、外側の直径の大きいパーツを単独で使用するか、2つのパーツを組み合わせるかで、ある程度の微調整が可能です。外側のパーツのみを使用した場合は、フォームプラグ全体の使用に比べて低音域の減衰量が少なくなります。

センターイメージのフォーカスがあいまいな場合は、左右のスピーカーの間隔をもっと狭めるか、スピーカーの設置角度をリスニングポジションの前に合わせ、もっと内側に向けてと改善される場合があります。再生した音が高音域に偏っていると感じられた時は、部屋に音を吸収するような柔らかい家具等を増やしてみてください。(例えば重たいカーテンを使用する等)おそらくサウンドバランスを整える助けとなります。また逆に、再生した音がこもった感じになった場合は、それらの家具を減らしてみてください。

最もシャープな音を聞きたい場合は、バス/ミッドレンジのグリルの端をつかんでキャビネットからそっと引っ張り、グリルを取り外してください。

5. ならし運転

スピーカーの性能は、ご使用になるにつれて微妙に変化します。スピーカーが低温の環境に保管されていた場合、ドライブユニットのダンピング材とサスペンションが本来の機械的特性を取り戻すまで、しばらく時間が掛かります。ドライブユニットのサスペンションは音量やソースにもよりますが、鳴らし始めてから1時間くらいで徐々にほぐれてきます。スピーカーが意図された性能を取り戻すまでにかかる時間は、開梱までの保管条件や、どの様に使用されるかによって異なります。目安としては、温度による影響を安定させる為、ご使用される状況で1週間、また意図された特性に達するために、平均15時間スピーカーを鳴らすことを見込んでください。

6. お手入れ

キャビネットの表面は、普段はほこりを払うだけで十分です。柔らかいマイクロファイバークロスの使用をお勧めします。スプレー式クリーナー等のクリーナーを使用する場合は、一部のクリーナーでは表面にダメージを与えることもありますので、クリーナーを直接製品に吹き付けるのではなく、布に吹き付けて、まず狭い範囲で試してください。ドライブ・ユニットにはクリーナーを使用しないでください。ダメージを与える可能性があるため、ドライブ・ユニットには触れないで下さい。

1. 언패킹

	그릴	폼 플러그	러버 풋 (접착식)	러버 풋 (나사식)	스파이크 풋	플린스	육각 렌치	45mm 나사	평면 와셔	방진 와셔
603 S3	1	1		4	4	1	1	4	4	4
606 S3 607 S3	2	2	8							
HTM6 S3	1	1	4							

내용물

위의 표에는 제품에 동봉된 구성 부품이 설명되어 있습니다. 누락된 부품이 있을 경우 스피커를 구매한 소매업체에 문의하십시오.

환경 정보

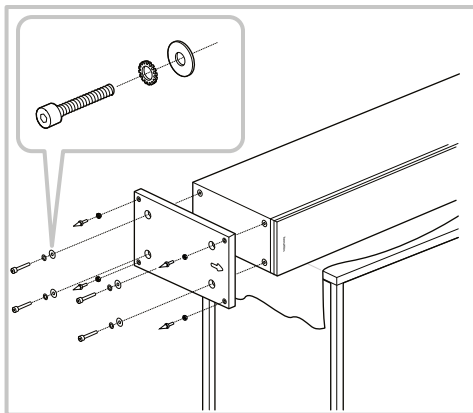
이 제품은 다음을 포함하되 이에 국한되지 않는 국제 지침을 준수합니다.

- i. 전기 및 전자 장비에 대한 RoHS(**R**estriction of **H**azardous **S**ubstances (유해물질 제한 지침))
- ii. REACH(**R**egistration, **E**valuation, **A**uthorisation and restriction of **C**H 신화학물질 관리 제도)
- iii. WEEE(disposal of **W**aste **E**lectrical and **E**lectronic **E**quipment 전기전자장비 폐기물 처리지침)

이 제품의 올바른 재활용 또는 폐기 방법에 대한 지침은 현지 폐기물 처리 담당 기관에 문의하십시오.

2. 배치

603 S3



스피커 설치

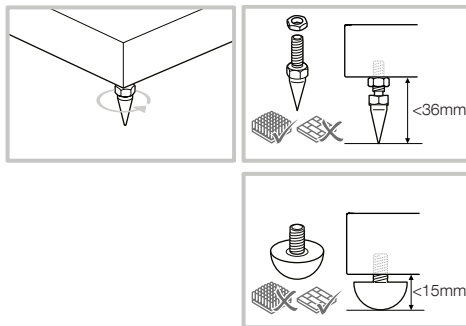
603 S3

603 S3 및 604 S3는 바닥에만 설치할 수 있습니다. 안정적인 설치를 위해 항상 제공된 플린스를 설치한 후 제공된 스파이크 또는 러버 풋을 사용하여 스피커가 바닥에 단단히 고정되도록 하십시오.

포장을 푸는 과정에서 위의 그림이나 포장 상자의 상단 덮개에 있는 다이어그램을 따라 플린스를 부착할 수 있습니다.

경고

플린스는 항상 러버 또는 스파이크 풋을 끼우고 사용해야 합니다. 러버 또는 스파이크 풋을 캐비닛에 직접 끼우지 마십시오.

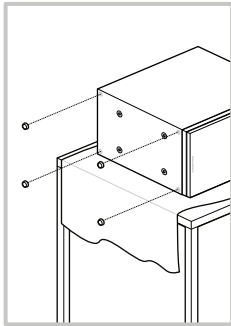


중요한 안전 유의 사항

스파이크는 날카로우니 만지지 마십시오.

스파이크 풋은 카펫을 뚫고 바닥 표면 위에 고정되도록 설계되었습니다. 먼저 스파이크가 아래 바닥에 고정되어 있을 때 너트가 카펫 바로 위에 떠 있을 만큼의 간격을 두고 스파이크에 잠금 너트를 끼우고 돌려서 조입니다. 그런 다음, 플린스의 나선형 인쇄에 스파이크를 끼우고 돌려서 끝까지 조입니다. 캐비닛을 바닥에 놓았을 때 흔들거리면 캐비닛이 흔들리지 않고 안정적으로 서 있을 때까지 바닥에 닿지 않은 두 스파이크를 돌려서 풋니다. 마지막으로 너트가 베이스에 닿을 때까지 회전시키고 스파이크가 회전하지 않도록 가볍게 조입니다. 스피커를 최적의 위치로 조정한 후에 스파이크 풋을 끼우고 조정하는 것이 더 편리할 수 있습니다.

카펫이 없는 경우에는 바닥 표면에 흠집이 나지 않도록 스파이크와 바닥 사이에 보호용 금속제 디스크(동전도 가능)를 사용하거나 제공된 러버 풋을 사용하십시오. 스파이크 풋과 동일한 방식으로 러버 풋을 끼우고 캐비닛의 수평을 맞춥니다.



606 S3 / 607 S3

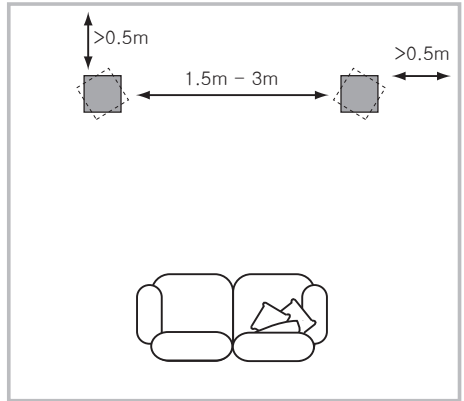
606 S3 및 607 S3는 원래 전용 플로어 스탠드(FS-600 S3)에 설치하도록 설계되었지만 원하는 경우 선반 위에 놓을 수 있습니다. 그러나 이렇게 하면 스피커의 성능을 최적화할 때 약간의 제약이 발생할 수 있습니다. 선반 설치 방식을 사용해야 하는 경우에는 폼 플러그(기본 제공)를 사용하여 포트 성능을 최적화하는 것이 좋습니다(색상 4: 미세 조정 참조).

두 설치의 경우 모두, 스피커의 트위터는 평상시 청취 위치의 귀 높이쯤에 있어야 합니다.

참고: 선반을 사용할 경우 무게를 적절히 지탱할 만큼 튼튼한지 확인하고, 스피커 밑면에 접촉식 러버 풋 4개를 끼우십시오.

HTM6 S3

음향 투명 스크린을 지원하는 프로젝션 TV를 사용할 경우 화면의 뒤쪽 가운데에 스피커를 배치합니다. 그렇지 않을 경우 플로어 스탠드, 가구 또는 벽 선반을 사용하여 스피커를 화면의 바로 위쪽이나 아래쪽에 배치하여 귀 높이에 최대한 가까이 둡니다. 스피커를 다른 AV 장비들을 보관하는 랙이나 선반에 올려놓는 경우 스피커의 바닥 부분에 접촉식 러버 풋 4개를 끼웁니다. 그러면 어느 정도 방진 효과가 있습니다.

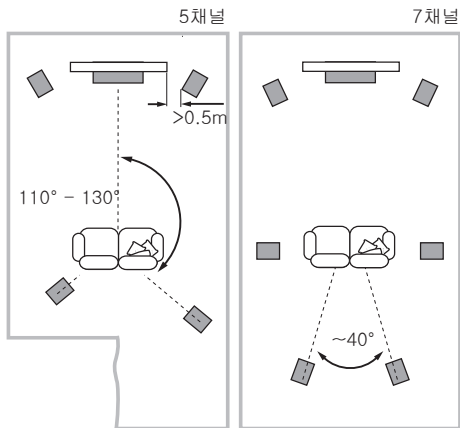


스피커 배치

스테레오 또는 홈 시어터 설치 시 각 스피커와 바로 인접한 주변부의 음향 특성이 유사해야 합니다. 예를 들어 스피커 하나는 빈 벽에 인접해 있고, 다른 스피커는 소프트 퍼니싱 및 커튼에 인접해 있는 경우 전반적인 사운드 품질 및 스테레오 이미지가 손상될 가능성이 높습니다.

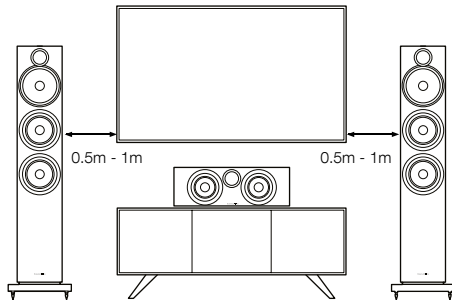
스테레오 시스템

먼저 정삼각형의 두 모서리에 스피커를 최소 1.5m에서 최대 3m 간격으로 배치하고, 세 번째 모서리에 청취자의 자리가 위치해야 합니다. 스피커는 후면 및 측면 벽으로부터 최소 0.5m 간격을 두고 배치해야 합니다. (위의 그림 참조)



홀 시어터 시스템

홀 시어터 시스템의 전면 채널에 사용할 스피커들은 스테레오 시스템보다 더 좁은 간격으로 배치해야 합니다. 서라운드 채널이 이미지를 넓히는 경향이 있기 때문입니다. 화면의 측면으로부터 약 0.5m 이내에 스피커를 배치하는 방법도 사운드 이미지의 느낌을 시각적 이미지에 맞게 유지하는 데 도움이 됩니다. 스테레오 시스템과 마찬가지로, 스피커는 모든 측면 벽과 최소 0.5m 이상 떨어져 있는 것이 좋습니다.

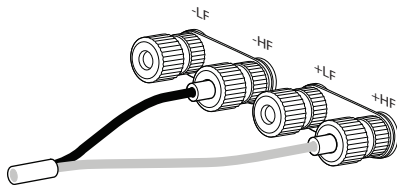


표유 자기장

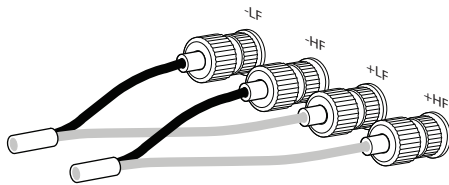
스피커 드라이브 유닛은 캐비닛의 주변에 표유 자기장을 생성합니다. 자기에 민감한 물품(CRT TV 및 컴퓨터 화면, 컴퓨터 디스크, 오디오 및 비디오 테이프, 전자 카드 등)은 스피커와 최소 0.5m 간격을 두는 것이 좋습니다. LCD, OLED 및 플라즈마 화면은 자기장에 영향을 받지 않습니다.

3. 연결

기본 연결



바이 와이어링 연결



중요한 안전 유의 사항

모든 연결 작업은 오디오 장비를 끈 상태에서 수행해야 합니다. 정상적으로 작동하는 오디오 장비를 사용할 때 비절연 스피커 단자 또는 전선을 만지면 불쾌한 느낌을 받을 수 있습니다. 600 S3 스피커 단자는 4mm 바나나 플러그, 6mm 및 8mm(1/4 in 및 5/16 in) 스페이드 또는 최대 직경 4mm(5/32 in)의 나선 등 다양한 케이블 성단을 허용합니다.



중요한 안전 유의 사항

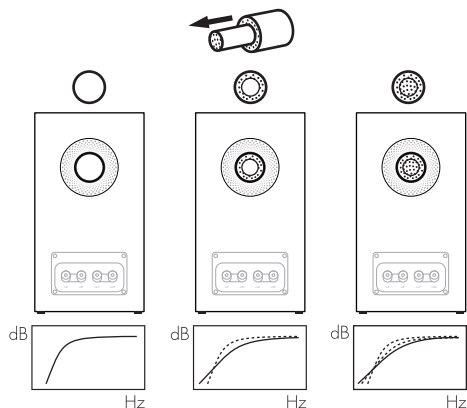
특정 국가(특히 유럽 국가)에서는 4mm 바나나 플러그의 사용이 잠재적 안전 위험으로 간주됩니다. 서터가 없는 주 전원 소켓의 구멍에 끼울 수 있기 때문입니다. 유럽 CENELEC 안전 규정을 준수하려면 단자 종단의 4mm 구멍을 플라스틱 핀으로 막아야 합니다. 이러한 조건이 적용되는 국가에서 제품을 사용하는 경우 어린이나 사전 지식이 없는 다른 사람이 안전하지 않은 방식으로 바나나 플러그를 사용할 수 없도록 해야 합니다. 바나나 플러그를 사용하려는 경우 플라스틱 핀을 제거할 수 있습니다.

스피커 케이블을 선택할 때는 판매업체에 조언을 구하십시오. 총 임피던스를 스피커 사양의 최대 권장 값 미만으로 유지하고 저인덕턴스 케이블을 사용하여 고음역대 주파수가 감소하는 것을 방지합니다.

일반 연결(상단 왼쪽 그림)의 경우 터미널 연결 부품을 제거하지 마시고(배송된 상태 그대로 유지) 한 쌍의 터미널만 앰프에 연결합니다. 바이와이어링 연결 또는 바이앰핑(상단 오른쪽 그림)의 경우 터미널 연결 부품을 제거하고 각 터미널을 앰프에(바이 와이어링의 경우) 혹은 앰프들에(바이앰핑의 경우) 연결해야 합니다. 바이와이어링 연결 방식은 낮은 볼륨의 소리들의 해상도를 보다 디테일하게 개선할 수 있습니다.

스피커의 양극 단자<409>(빨간색 링)는 앰프의 양극 출력 단자에 연결되어 있고, 스피커의 음극 단자<410>(검은색 링)는 항상 앰프의 음극 출력 단자에 연결되어 있어야 합니다. 잘못된 연결할 경우 제품의 손상이 발생하지는 않지만 부정확한 스테레오 이미징 및 저음의 손실이 발생할 수 있습니다. 단자 캡이 달고락거리지 않도록 항상 끝까지 돌려서 조이십시오.

4. 미세 조정



미세 조정 전에 설치된 모든 연결이 정확하고 안정적인지 확인하십시오.

일반적으로 스피커와 벽의 거리가 멀어지면 저음의 양이 줄어듭니다. 또한 스피커 위에 공간을 확보하는 것은 보다 깊이감 있는 소리를 구현하는 데에도 도움이 됩니다. 반대로, 스피커를 벽으로 가까이 하면 저음의 양이 증가합니다. 스피커를 벽에서 멀리 이동하지 않고 저음의 양을 줄이려면 폼 플러그를 끼우고, 저음을 조금만 줄이려면 포트 튜브에 폼 링을 끼웁니다. (위 그림 참조)

각 주파수 대역별 저음의 양이 고르지 않다면 청취 공간에 존재하는 공명현상 때문일 가능성이 가장 큼니다. 스피커의 위치나 청취 위치가 조금만 달라져도 이러한 공명현상이 사운드에 미치는 영향의 정도가 크게 달라질 수 있습니다. 청취 위치를 이동하거나 다른 벽에 스피커를 설치해 보십시오. 대형 가구의 존재 여부나 위치도 공명현상에 영향을 줄 수 있습니다.

만일 대안이 없다면 제공된 폼 플러그를 사용하여 스피커의 저음의 양을 조정할 수 있습니다. 플러그는 두 부분으로 이루어져 있으며, 직경이 더 큰 외부 부분을 사용하거나 두 부분을 함께 사용하여 어느 정도의 미세 조정이 가능합니다. 전체 플러그를 사용하지 않고 직경이 더 큰 외부 부분만 사용하는 경우 저음의 양이 덜 줄어듭니다.

사운드의 센터 이미지가 명확하게 잡히지 않는 경우, 청취 위치의 바로 앞쪽을 향하도록 스피커를 좀 더 가까이 이동하거나 앞쪽 방향을 향하게 해보십시오. 만약 소리가 너무 밝다면(고음이 많이 느껴지는 경우) 방 안의 소프트 퍼니싱(예: 두꺼운 커튼) 양을 늘리면 고음과 저음의 밸런스를 맞추는데 도움이 될 수 있습니다. 반대로, 소프트 퍼니싱 양을 줄이면 먹먹한 소리를 밝게 만드는 데 도움이 될 수 있습니다.

가장 정확한 청취를 위하여, 그들의 모서리를 잡고 캐비닛에서 부드럽게 빼내서 제거하십시오.

5. 길들이기

스피커가 추운 환경에 보관되어 있었다면, 드라이브 유닛의 램핑 컴파운드와 서스펜션 물질이 기계적으로 올바르게 작동하게 되기까지 어느 정도의 시간이 걸립니다. 드라이브 유닛 서스펜션 또한 처음 몇 시간 동안의 구동을 통해 느슨해집니다. 스피커가 최적의 성능을 구현하는 데 걸리는 시간은 이전의 보관 상태와 어떻게 사용되었는지에 달려있습니다. 참고로, 온도 효과가 안정화되기까지 소요되는 시간은 최대 일주일이고, 최대 15시간 정도 스피커를 일반적으로 사용해주시면 기계 부품들이 최적으로 동작할 수 있는 상태가 됩니다.

6. 사후 관리

캐비닛 표면은 일반적으로 먼지만 털어 주면 됩니다. 부드러운 극세사 천을 사용하는 것이 좋습니다. 에어로졸 또는 다른 세척제를 사용하려면 세척제가 일부 표면에 손상을 줄 수 있으니 세척제를 제품에 직접 도포하지 말고 천에 묻혀서 극소 영역에 먼저 테스트하십시오. 연마재나 산성, 알칼리성 또는 향균성 물질이 포함된 제품은 사용하지 마십시오. 드라이브 유닛에 세제를 사용하지 마십시오. 손상을 줄 수 있으니 드라이브 유닛을 만지지 마십시오.

Bowers & Wilkins

B&W Group Ltd
Dale Road
Worthing West Sussex
BN11 2BH England

EU Importer:
Bowers & Wilkins
Beemdstraat 11
5653 MA Eindhoven
The Netherlands

Copyright © B&W Group Ltd. E&OE

